

No: 91040360

1 Geräteliste

| Teil | Beschreibung | Sachnummer | Position | Teil | Beschreibung | Sachnummer | Position |
|------|--|------------|---------------------------|------|---|------------|-----------------------------|
| A1 | Steuerung Arbeiten Master controller working master | 97168173 | 12.3D, 10.1C, 10.5D, 1... | E22 | Positionsluchte links vorne position light front left | 97155436 | 19.3F |
| A2 | Steuerung Anzeige controller display | 97160949 | 21.2A, 9.1C, 9.5D, 15.... | E23 | Positionsluchte rechts vorne position light front right | 97155436 | 19.8F |
| A4 | Steuerung Fahren Front 36V/250A drive controller front 36V/250A | 92042746 | 15.5D, 15.1D | F1 | Sicherung Schlüsselschalter 7,5A fuse switch 7.5A | 19731587 | 7.5E, 7.2D |
| A5 | Steuerung Fahren Heck 36V/250A drive controller rear 36V/250A | 92042753 | 16.3D, 16.1C | F2 | Sicherung Steuerung A1 125A fuse controller A1 125A | 19731140 | 7.2D, 7.2D |
| A6 | Steuerung Arbeiten Slave controller working slave | 97168173 | 21.6A, 10.7C, 10.8D, 1... | F3 | Sicherung Fahren 355A fuse drive 355A | 19731372 | 7.1D, 7.1D, 7.1D |
| A9 | Steuerung Lenken controller steering | 97152623 | 22.2E, 22.1D | F8 | Sicherung Steuerung A6 125A fuse controller A6 125A | 19731140 | 7.2D, 7.3D |
| A10 | Steuerung Chemiepumpe controller chemical pump | 97148605 | 21.3E, 21.3D | F9 | Sicherung Lenken 30A fuse steering 30A | 19731595 | 7.3D, 7.4D |
| A20 | Fleetrekorder fleetreorder | 92058015 | 20.2D, 20.1D | F10 | Sicherung Hochdruckreiniger 80A fuse high-pressure cleaner 80A | 19731520 | 7.4D, 7.4D |
| B3 | Fahrgeber accelerator | 97131882 | 15.2F | F11 | Sicherung SVZO 15A fuse road traffic act 15A | 19731207 | 7.7E |
| B4 | Drucksensor Frischwassertank pressure sensor fresh water tank | 92013481 | 10.7A | F19 | Sicherung Hupe / Fleet 5A fuse horn / fleet 5A | 19731272 | 7.9E |
| B5 | Drucksensor Schmutzwassertank pressure sensor dirty water tank | 92013481 | 10.8A | F20 | Sicherung Anzeige 5A fuse display 5A | 19731272 | 7.6E |
| B18 | Durchflussmengenmesser flow meter | 90596529 | 10.5A | F30 | Sicherung Positionsluchte li 5A fuse position light left 5A | 19731181 | 19.3B |
| B20 | L-Button reader L-Button reader | 97131429 | 20.3D, 20.3D | F31 | Sicherung Positionsluchte re 5A fuse position light right 5A | 19731181 | 19.4B |
| B27 | Kamera camera | 92701325 | 22.6D | F32 | Sicherung Abblendlicht 5A fuse low-beam headlights 5A | 19731181 | 19.2B |
| C1 | Enstörkondensator 220nF suppressor capacitor 220nF | 90288879 | 9.4F | F33 | Sicherung Bremslicht 5A fuse brake light 5A | 19731181 | 18.6B |
| E1 | Arbeitscheinwerfer links working headlight left | 92080324 | 17.1D | F34 | Sicherung Rückfahrlicht 5A fuse backup light 5A | 19731181 | 18.6B |
| E2 | Blitzleuchte Fahrschutzdach flashlight overhead cover | 97084222 | 17.4F | F35 | Sicherung Blinkgeber 5A fuse flasher unit 5A | 19731181 | 18.5B |
| E5 | Mehrkammerleuchte hinten links combination light rear left | 92042811 | 19.4E | G1 | Batterie 36V 320A 810Ah battery 36V 320A 810Ah | 92016385 | 7.2A |
| E6 | Mehrkammerleuchte hinten rechts combination light rear right | 92042811 | 19.6E | G1 | Batterie 36V 320A 540Ah battery 36V 320A 540Ah | 92015270 | 7.4A |
| E7 | Blinker vorne links indicator front left | 92073865 | 19.1F | H1 | Hupe 335Hz horn 335Hz | 90194911 | 9.4F |
| E8 | Blinker vorne rechts indicator front right | 92073865 | 19.6F | K1 | Hauptschutz 36V main contactor 36V | 92004282 | 7.3F, 7.2F, 7.2F, 7.2F, ... |
| E9 | Blinker links seitlich indicator side left | 92073865 | 19.2F | K2 | Relais Fahrsteuerung Front relay drive controller front | 92027176 | 15.1B |
| E10 | Blinker rechts seitlich indicator side right | 92073865 | 19.7F | K3 | Relais Fahrsteuerung Heck relay drive controller rear | 92027176 | 16.1B |
| E11 | Arbeitscheinwerfer rechts working headlight right | 92080324 | 17.2D | K8 | Umpolungsrelais 36V turn-over relay 36V | 90522533 | 14.6F |
| E12 | Arbeitscheinwerfer hinten working headlight rear | 92080324 | 17.2G | K20 | Blinkgeber flasher unit | 92076470 | 18.7F |
| E14 | BlueSpot Lenkturm LED bluespot steering unit LED | 97162085 | 17.7F | K29 | Relais Pumpe HDR relays high pressure pump | 90267949 | 20.5E |
| E15 | BlueSpot hinten LED bluespot rear LED | 97162085 | 17.6F | K31A | Micro-Relais 24V micro-relay 24V | 90567777 | 18.2D |
| E16 | Blue Spot am Halter LED blue spot at holder LED | 97162085 | 17.8F | K31B | Micro-Relais 24V micro-relay 24V | 90567777 | 18.8E |
| G17 | BlueSpot FSD LED bluespot overhead cover LED | 97162085 | 17.9F | M1 | Fahrmotor Front drive motor front | 97151526 | 15.5G |
| E18 | Abblendscheinwerfer links LED driving light left LED | 92053073 | 19.2F | M2 | Fahrmotor Heck drive motor rear | 92030733 | 16.5G |
| E19 | Abblendscheinwerfer rechts LED driving light right LED | 92053073 | 19.8F | M3 | Tellerbürstenmotor links TB1230 plate brush motor left TB1230 | 90577248 | 11.2G |
| E21 | Blitzleuchte am Stab flashlight at bar | 97084222 | 17.5F | M3 | Tellerbürstenmotor links TB1520 plate brush motor left TB1520 | 92012830 | 12.2G |

Freigebevermerk

1

* *

432042

08.12.2020

Ri

Name

Printed

18.03.2021

Date

Name

Verified

Date

Name

Ri

Name

Replacement for

4315-65

Name

B400 R

Name

Schaltplan B400 R / circuit diagram B400 R

Engineering Base 63,9.1

Type 7437

Dept. DS

No. of Sh. 27

Sheet 11

Drawing Number

91040360

b.3380 for 11.01.01.01

L11111111

No: 91040360

1 Geräteliste

| Teil | Beschreibung | Sachnummer | Position | Teil | Beschreibung | Sachnummer | Position |
|------|--|------------|----------|------|--|------------|-----------------------------|
| M4 | Teilbürstenmotor rechts TB1230 plate brush motor right TB1230 | 90577248 | 11.4G | S2 | Schalter Bremse entriegelt switch brake released | 97157512 | 16.4F |
| M4 | Teilbürstenmotor rechts TB1520 plate brush motor right TB1520 | 92012830 | 12.3G | S5 | Sitzschalter seat switch | 90690694 | 10.5A |
| M5 | Teilbürstenmotor mitte TB1230 plate brush motor middle TB1230 | 90577248 | 11.5G | S6 | Warnblinkschalter 12V hazard warning switches 12V | 19255546 | 18.3E |
| M5 | Teilbürstenmotor mitte TB1520 plate brush motor middle TB1520 | 92012830 | 12.4G | S11 | Schaltzschalter Behälter 30° switch container position 30° | 97157512 | 14.2G |
| M6 | Hydraulikmotor 36V hydraulic motor 36V | 97162549 | 14.8F | S12 | Schaltzschalter Behälter unten switch container lowered | 97157512 | 14.3G |
| M7 | Wasserrecyclingpumpe water recycling pump | 97166722 | 21.5E | S13 | Schaltzschalter Behälter zu switch container closed | 97157512 | 14.3G |
| M8 | Wasserpumpe water pump | 97166722 | 10.5G | S15 | Fussbremstaster foot brake switch | 90472176 | 15.4F |
| M9 | Hubelement Bürstendeck 24V actuator brush deck 24V | 92023332 | 11.2B | S20 | Lenkstockschalter Stalk switch | 97164750 | 18.6E |
| M10 | Hubelement Saugfuß actuator squeegee | 92005727 | 11.4B | S21 | Schalter Bremse lösen release brake switch | 90285768 | 15.9E |
| M13 | Hubelement Kehrwalze actuator sweeping broom | 92023332 | 13.8A | S29 | Taster HDR EIN switch HDR on | 97100986 | 20.7F |
| M13 | Hubelement Kehrwalze actuator sweeping broom | 92023332 | 14.6A | T1 | DC/DC Wandler 18-54V - 12.5V DC/DC converter 18-54V - 12.5V | 92076488 | 18.2F |
| M16 | Saugmotor 36V suction motor 36V | 97142475 | 11.6B | V1 | Diode 1A diode 1A | 90194879 | 9.3F |
| M17 | Saugmotor 36V suction motor 36V | 97142475 | 11.7B | V2 | Freilaufdiode 1A free-wheeling diode 1A | 90194879 | 15.8G |
| M19 | Motor Seitenbesen rechts motor side broom right | 92019017 | 13.4A | X43 | Massbolzen M10 Ground point M10 | 19789353 | 8.10F, 8.8E, 8.8F, 8.8F ... |
| M19 | Motor Seitenbesen rechts motor side broom right | 92019017 | 14.3A | X97 | USB 4-pol. Amphenol USB 4-pol. Amphenol | 92005412 | 10.2G |
| M20 | Motor Seitenbesen links motor side broom left | 92014455 | 13.5A | Y1 | Wasserventil water valve | 90435595 | 10.6E |
| M20 | Motor Seitenbesen links motor side broom left | 92014455 | 14.4A | Y3 | Ventil Wasserrecycling valve waterrecycling | 90435595 | 21.6E |
| M21 | Motor Kehrwalze motor sweeping broom | 92022524 | 13.2A | | | | |
| M21 | Motor Kehrwalze 36V 600W motor sweeping broom 36V 600W | 92022524 | 14.2A | | | | |
| M24 | Rüttelmotor 36V vibration motor 36V | 92072560 | 13.8A | | | | |
| M24 | Rüttelmotor 36V vibration motor 36V | 92072560 | 14.7A | | | | |
| M25 | Saugmotor 36V suction motor 36V | 92072560 | 13.8A | | | | |
| M25 | Saugmotor 36V suction motor 36V | 92072560 | 14.8A | | | | |
| M26 | Lenkmotor steering motor | 92036631 | 22.3F | | | | |
| M27 | Hubelement Behälter drehen 24V actuator container move 24V | 92037274 | 14.5F | | | | |
| M29 | Hochdruckpumpe high pressure pump | 92048305 | 20.6G | | | | |
| P2 | Signalgeber buzzer | 90324260 | 10.4E | | | | |
| P27 | Monitor display | 90650876 | 22.6D | | | | |
| R20 | Lenkwinkelpotentiometer 5kΩ steer angle potentiometer 5kΩ | 92017995 | 16.2F | | | | |
| R29 | Widerstand R1k resistor R1k | 19245018 | 20.8D | | | | |
| R102 | Widerstand 2.7kΩ resistor 2.7kΩ | 19245258 | 20.4C | | | | |
| S1 | Schlüsselschalter key switch | 90323437 | 8.2C | | | | |

Freigabevermerk

1 *

4320-82

B400 R

Name

Schaltplan B400 R / circuit diagram B400 R



Drawing Number
91040360

| No: 91040360 | | | | | | | | | | | | | | | | | |
|--------------|----------|----------|----------|----------|----------|---------|----------|-----------|----------|-----------|----------|-----------|-------|--------|-------|---------|-------|
| 3 Pin-Splice | | | | | | | | | | | | | | | | | |
| Name | Position | Name | Position | Name | Position | Name | Position | Name | Position | Name | Position | | | | | | |
| A1X1/1 | 11.1C | A1X13/5 | 22.3B | A2X105/5 | 9.4C | A4/B+1 | 15.1D | A5/M3/1 | 16.5E | A6/X13/2 | 22.5B | A6/X15/24 | 14.2E | A20/3 | 20.2E | E6/4 | 19.8E |
| A1X2/1 | 11.1D | A1X13/6 | | A2X105/6 | | A4/B-1 | 15.1E | A6/X11/1 | 11.7C | A6/X13/3 | | A6/X16/1 | 13.1D | A20/4 | 20.2D | E6/5 | 19.8E |
| A1X3/1 | 11.3D | A1X13/7 | 11.3C | A2X105/7 | | A4/M1/1 | 15.5E | A6/X2/1 | 11.8D | A6/X13/4 | 22.6B | A6/X16/2 | | A20/5 | | E6/6 | 19.7E |
| A1X3/2 | 12.2D | A1X13/8 | 10.4D | A2X105/8 | | A4/M2/1 | 15.6E | A6/X3/1 | 11.7D | A6/X13/5 | | A6/X16/3 | | A20/6 | 20.1E | E7/1 | 19.1F |
| A1X4/1 | 11.2D | A1X13/9 | 20.7B | A2X106/1 | 9.5E | A4/M3/1 | 15.6E | A6/X3/2 | 12.4D | A6/X13/6 | 22.6B | A6/X16/4 | | A20/7 | 20.2D | E7/2 | 19.1G |
| A1X4/2 | 12.2D | A1X13/10 | 15.6B | A2X109/1 | 15.6B | A5/A1 | | A6/X4/1 | 11.7D | A6/X13/7 | 13.6D | A6/X16/5 | 13.1E | A20/8 | | E8/1 | 19.6F |
| A1X5/1 | 11.4D | A1X13/11 | 15.5B | A2X109/2 | 15.7B | A5/A2 | | A6/X4/2 | 12.5D | A6/X13/8 | 22.5B | A6/X16/6 | | A20/9 | 20.2D | E8/2 | 19.6G |
| A1X5/2 | 12.3D | A1X13/12 | | A2X109/3 | 15.7B | A5/A3 | | A6/X5/1 | 13.2D | A6/X13/9 | | A6/X16/7 | | A20/10 | | E9/1 | 19.2F |
| A1X6/1 | 11.4D | A1X14/1 | 10.1C | A2X109/4 | 15.7B | A5/A4 | 16.5C | A6/X5/2 | 14.2D | A6/X13/10 | 18.8B | A6/X16/8 | | B3/1 | 15.2F | E9/2 | 19.2G |
| A1X6/2 | 12.3D | A1X14/2 | 10.2C | A4/A1 | 15.7D | A5/A5 | | A6/X6/1 | 13.2D | A6/X13/11 | 18.8B | A6/X18/1 | 13.1D | B3/2 | 15.2F | E10/1 | 19.7F |
| A1X7/1 | 11.5C | A1X14/3 | 10.2D | A4/A2 | 15.7D | A5/A6 | 16.4E | A6/X6/2 | 14.1D | A6/X13/12 | | A6/X18/2 | | B3/3 | 15.2F | E10/2 | 19.7G |
| A1X8/1 | 11.6C | A1X14/4 | 10.2D | A4/A3 | 15.3E | A5/A7 | | A6/X7/1 | 14.7E | A6/X14/1 | 13.1D | A6/X18/3 | | B3/4 | 15.2F | E11/1 | 17.2D |
| A1X9/1 | 11.6C | A1X14/5 | 10.6C | A4/A4 | 15.5D | A5/A8 | 16.2E | A6/X8/1 | 14.7E | A6/X14/2 | | A6/X18/4 | | B3/5 | 15.2F | E11/2 | 17.2E |
| A1X10/1 | 11.7C | A1X14/6 | 10.1D | A4/A5 | | A5/A9 | | A6/X9/1 | 13.4D | A6/X14/3 | | A6/X18/5 | 13.2D | B3/6 | 15.2F | E12/1 | 17.2G |
| A1X11/1 | 11.2C | A1X14/7 | | A4/A6 | 15.5E | A5/A10 | 16.3E | A6/X9/2 | 14.3D | A6/X14/4 | | A6/X18/6 | | B4/1 | 10.7A | E12/2 | 17.2G |
| A1X11/2 | 11.4C | A1X14/8 | 10.2D | A4/A7 | 15.4E | A5/A11 | 16.5C | A6/X10/1 | 13.3D | A6/X14/5 | 10.8C | A6/X18/7 | | B4/2 | 10.7A | E14/1 | 17.7F |
| A1X11/3 | 13.8D | A1X14/9 | 10.2D | A4/A8 | 15.2E | A5/A12 | 16.2E | A6/X10/2 | 14.3D | A6/X14/6 | 13.1E | A6/X18/8 | | B4/3 | 10.7B | E14/2 | 17.7G |
| A1X11/4 | 11.2C | A1X14/10 | | A4/A9 | 15.3E | A5/A13 | 16.5C | A6/X11/1 | 13.6D | A6/X14/7 | | A6/X18/9 | | B4/4 | 10.7B | E15/1 | 17.6F |
| A1X11/5 | 11.5C | A1X15/1 | 20.2B | A4/A10 | | A5/A14 | 16.2C | A6/X11/2 | 14.5E | A6/X14/8 | | A6/X18/10 | 10.8D | B5/1 | 10.8A | E15/2 | 17.6G |
| A1X11/6 | 13.9D | A1X15/2 | | A4/A11 | | A5/A15 | 16.2C | A6/X11/3 | 13.8D | A6/X14/9 | | A6/X18/11 | 22.3E | B5/2 | 10.8A | E16/1 | 17.8F |
| A1X12/1 | 10.5D | A1X15/3 | 10.7C | A4/A12 | | A5/A16 | 16.8E | A6/X11/4 | 13.6D | A6/X14/10 | | A6/X18/12 | 22.3E | B5/3 | 10.8B | E16/2 | 17.8G |
| A1X12/2 | | A1X15/4 | 10.6C | A4/A13 | 15.2D | A5/A17 | | A6/X11/5 | 14.5E | A6/X15/1 | | A6/X18/13 | 22.3E | B5/4 | 10.8B | E17/1 | 17.9F |
| A1X12/3 | 10.3D | A1X15/5 | 11.3C | A4/A14 | 15.2D | A5/A18 | | A6/X11/6 | 13.8D | A6/X15/2 | | A6/X18/14 | 22.3E | B18/1 | 10.6A | E17/2 | 17.9G |
| A1X12/4 | 17.4B | A1X15/6 | 10.4C | A4/A15 | 15.1D | A5/A19 | | A6/X12/1 | 21.7B | A6/X15/3 | 10.9C | A6/X18/15 | | B18/2 | 10.5A | E18/1 | 19.2G |
| A1X12/5 | 17.2B | A1X15/7 | 10.4C | A4/A16 | 15.6E | A5/A20 | | A6/X12/2 | | A6/X15/4 | 11.8D | A6/X18/16 | | B18/3 | 10.6A | E18/2 | 19.2F |
| A1X12/6 | 10.6D | A1X15/8 | | A4/A17 | 15.3D | A5/A21 | 16.4C | A6/X12/3 | | A6/X15/5 | 13.7D | A6/X18/17 | | B20/1 | 20.3D | E19/1 | 19.8G |
| A1X12/7 | 21.5B | A1X15/9 | 20.6B | A4/A18 | | A5/A22 | 16.4C | A6/X12/4 | 17.7B | A6/X15/6 | 18.7B | A6/X18/18 | | B20/2 | 20.4D | E19/2 | 19.8F |
| A1X12/8 | 20.8B | A1X15/10 | 20.7B | A4/A19 | | A5/A23 | | A6/X12/5 | 14.6E | A6/X15/7 | | A6/X18/19 | 22.3D | B20/3 | 20.3E | E21/1 | 17.5F |
| A1X12/9 | | A1X15/11 | 11.5D | A4/A20 | | A5/A24 | | A6/X12/6 | 18.7B | A6/X15/8 | 13.5D | A6/X18/20 | | B20/4 | 20.4E | E21/2 | 17.5G |
| A1X12/10 | 17.8B | A1X15/12 | 11.5D | A4/A21 | 15.3D | A5/A25 | | A6/X12/7 | 18.7B | A6/X15/9 | 13.5D | A6/X18/21 | 22.2D | C1/1 | 9.4F | E22/1 | 19.3F |
| A1X12/11 | 10.5D | A1X15/13 | | A4/A22 | 15.3D | A5/A26 | | A6/X12/8 | | A6/X15/10 | 14.3E | A6/X18/22 | | C1/2 | 9.4F | E22/2 | 19.3G |
| A1X12/12 | | A1X15/14 | | A4/A23 | | A5/A27 | 16.6E | A6/X12/9 | 14.6E | A6/X15/11 | 14.3E | A6/X18/23 | 22.2D | E1/1 | 17.1D | E23/1 | 19.8F |
| A1X12/13 | 10.3D | A1X15/15 | 10.7C | A4/A24 | 15.4D | A5/A28 | 16.8E | A6/X12/10 | 17.8B | A6/X15/12 | 14.2E | A6/X18/24 | 22.3D | E1/2 | 17.1E | E23/2 | 19.8G |
| A1X12/14 | 17.4B | A1X15/16 | 10.5C | A4/A25 | 15.4D | A5/A29 | 16.8E | A6/X12/11 | 21.7B | A6/X15/13 | | A6/X18/25 | | E2/1 | 17.4F | F1/1 | 7.5E |
| A1X12/15 | 17.2B | A1X15/17 | | A4/A26 | | A5/A30 | 16.8C | A6/X12/12 | | A6/X15/14 | | A6/X18/26 | 22.3E | E2/2 | 17.4G | F1/2 | 7.5E |
| A1X12/16 | 10.6D | A1X15/18 | 10.5C | A4/A27 | 15.6E | A5/A31 | 16.7E | A6/X12/13 | | A6/X15/15 | 10.8C | A6/X18/27 | 22.2E | E5/1 | 19.4F | F2/1/1 | 7.2D |
| A1X12/17 | 21.8B | A1X15/19 | 10.5C | A4/A28 | 15.7E | A5/A32 | | A6/X12/14 | 17.7B | A6/X15/16 | 11.8D | A6/X18/28 | 22.2E | E5/2 | 19.4E | F2/2/1 | 7.2D |
| A1X12/18 | 20.8B | A1X15/20 | | A4/A29 | 15.7E | A5/A33 | | A6/X12/15 | 14.5E | A6/X15/17 | | A6/X18/29 | 22.2D | E5/3 | 19.5E | F3/2/1 | 7.1D |
| A1X12/19 | | A1X15/21 | 20.6B | A4/A30 | | A5/A34 | 16.7E | A6/X12/16 | 18.7B | A6/X15/18 | 18.8B | A6/X18/30 | 21.3D | E5/4 | 19.4E | F3/2/2 | 7.1D |
| A1X12/20 | 17.8B | A1X15/22 | 20.7B | A4/A31 | 15.7E | A5/A35 | 16.7E | A6/X12/17 | 18.7B | A6/X15/19 | | A6/X18/31 | 21.3D | E5/5 | 19.4E | F8/2/1 | 7.3D |
| A1X13/1 | 11.3C | A1X15/23 | 11.5D | A4/A32 | | A5/B+1 | 16.1C | A6/X12/18 | | A6/X15/20 | 13.5D | A6/X18/32 | 21.4D | E5/6 | 19.5E | F9/1/1 | 7.4D |
| A1X13/2 | 10.4D | A1X15/24 | 11.6D | A4/A33 | | A5/B-1 | 16.1E | A6/X12/19 | 14.5E | A6/X15/21 | 13.5D | A6/X18/33 | 21.4D | E6/1 | 19.6E | F9/2/1 | 7.4D |
| A1X13/3 | 20.7B | A1X16/1 | | A4/A34 | 15.8E | A5/M1/1 | 16.5E | A6/X12/20 | 17.8B | A6/X15/22 | 14.4E | A20/1 | 20.1D | E6/2 | 19.6E | F10/2/1 | 7.4D |
| A1X13/4 | | A1X16/2 | | A4/A35 | 15.7E | A5/M2/1 | 16.5E | A6/X13/1 | 13.7D | A6/X15/23 | 14.3E | A20/2 | 20.2D | E6/3 | 19.7E | F11/1 | 7.7E |

| | | | | | | | | | | | |
|----------------------|--|------------|--|------------|--|--|--|----------------|--|-----------|--|
| Name | | B400 R | | Name | | Schaltplan B400 R / circuit diagram B400 R | | Drawing Number | | 91040360 | |
| Date | | 08.12.2020 | | Date | | 18.03.2021 | | Type | | Type 7437 | |
| Drawn | | 09.10.2020 | | Printed | | 18.03.2021 | | Dept. | | DS | |
| Verified | | Ri | | Name | | 4315-65 | | No. of | | Sheet 3 | |
| No. (Number appears) | | 4320-82 | | Change No. | | | | No. of | | Sheet 3 | |
| 1 | | * * | | 4 | | | | No. of | | Sheet 3 | |
| 1 | | 4320-82 | | 4 | | | | No. of | | Sheet 3 | |

| No: 91040360 | | | | | | | | | | | | | | | | | | | |
|--------------|----------|----------|----------|-----------|----------|------------|----------|----------|----------|----------|----------|----------|-------|----------|-------|-----------|-------|-----------|-------|
| 3 Pin-Splice | | | | | | | | | | | | | | | | | | | |
| Name | Position | Name | Position | Name | Position | Name | Position | Name | Position | Name | Position | | | | | | | | |
| F1/12 | 7.7E | K20/2 | 18.7G | M2/X3/2 | 16.6G | M13.1/6 | 13.7A | M26/M- | 22.3G | S11/2 | 14.2G | W3/XS7 | 22.5C | W79/XS45 | 18.4G | X20/ST/2 | 11.5E | X29/ST/9 | 13.7C |
| F19/1 | 7.6E | K20/3 | 18.7G | M3.1/1N | 11.3G | M13.2/1 | 14.6A | M26/X1/1 | 22.3F | S11/3 | 14.2G | W3/XS8 | 9.3B | W79/XS46 | 18.5A | X20/ST/2 | 12.6E | X29/ST/10 | 14.6C |
| F19/2 | 7.6E | K20/4 | 18.8F | M3.1/P | 11.2G | M13.2/2 | 14.6B | M26/X1/2 | 22.3F | S12/1 | 14.3G | W3/XS9 | 9.5B | W79/XS47 | 19.3A | X20/ST/3 | 11.5E | X29/ST/10 | 13.5C |
| F20/1 | 7.6E | K20/5 | 18.7F | M3.1/S1/1 | 11.3G | M13.2/3 | 14.6B | M26/X1/3 | 22.3F | S12/2 | 14.3G | W3/XS10 | 9.6B | W79/XS49 | 19.3C | X20/ST/3 | 12.6E | X29/ST/10 | 14.5C |
| F20/2 | 7.6E | K20/6 | 18.7F | M3.1/S1/2 | 11.3G | M13.2/4 | 14.6A | M26/X1/4 | 22.3F | S12/3 | 14.3G | W3/XS11 | 9.4B | W79/XS50 | 19.2C | X20/ST/4 | 11.5E | X29/ST/11 | 13.5C |
| F30/1 | 19.3B | K20/7 | 18.7G | M3.2/N | 12.2G | M13.2/5 | 14.6B | M26/X1/5 | 22.3F | S13/1 | 14.3G | W3/XS12 | 9.5B | W79/XS52 | 19.5C | X20/ST/4 | 12.6E | X29/ST/11 | 14.5C |
| F30/2 | 19.3B | K20/8 | 18.8G | M3.2/P | 12.2G | M13.2/6 | 14.6A | M26/X1/6 | 22.3F | S13/2 | 14.4G | W3/XS13 | 9.6B | W79/XS53 | 19.6C | X20/ST/5 | 11.5E | X29/ST/12 | |
| F31/1 | 19.4B | K20/9 | 18.7G | M3.2/S1/1 | 12.2G | M16/A | 11.6B | M27/1 | 14.5F | S13/3 | 14.3G | W3/XS15 | 10.3B | W79/XS54 | 19.5C | X20/ST/5 | 12.6E | X29/ST/12 | |
| F31/2 | 19.4B | K29/A1/1 | 20.6E | M3.2/S1/2 | 12.3G | M16/B | 11.6B | M27/2 | 14.4G | S15/B | 15.4G | W3/XS17 | 10.6B | W79/XS55 | 19.5C | X20/ST/6 | 11.6E | X29/ST/13 | |
| F32/1 | 19.2B | K29/A2/1 | 20.6E | M4.1/N | 11.4G | M17/A | 11.7B | M29/N | 20.6G | S15/P | 15.4F | W3/XS20 | 17.2D | W79/XS58 | 18.6D | X20/ST/6 | 12.6E | X29/ST/13 | |
| F32/2 | 19.2B | K29/K1/1 | 20.5E | M4.1/P | 11.4G | M17/B | 11.7B | M29/P | 20.6G | S20/X1/1 | 18.7F | W3/XS21 | 17.2D | X1/ST/N | 7.2B | X29/BU/1 | 13.5C | X29/ST/14 | 13.6C |
| F33/1 | 18.6B | K29/K2/1 | 20.5E | M4.1/S1/1 | 11.4G | M19.1/1 | 13.4A | M29/S1/1 | 20.6G | S20/X1/2 | 18.7E | W3/XS22 | 20.1B | X1/ST/P | 7.2B | X29/BU/2 | 13.5C | X29/ST/14 | 14.6C |
| F33/2 | 18.6B | K31/A/1 | 18.2D | M4.1/S1/2 | 11.4G | M19.1/2 | 13.4B | M29/S1/2 | 20.6G | S20/X1/3 | 18.7E | W3/XS23 | 10.3B | X11/BU/1 | | X29/BU/3 | | X29/ST/15 | 13.8C |
| F34/1 | 18.6B | K31/A/2 | 18.2D | M4.2/N | 12.3G | M19.1/3 | 13.4A | P2/1 | 10.4F | S20/X1/4 | | W3/XS24 | 15.5C | X11/BU/2 | 16.4B | X29/BU/4 | | X29/ST/15 | 14.7C |
| F34/2 | 18.6B | K31/A/3 | 18.2D | M4.2/P | 12.3G | M19.1/4 | 13.4B | P2/3+ | 10.4E | S20/X2/1 | 18.6E | W3/XS26 | 15.3B | X11/BU/3 | 16.5B | X29/BU/5 | 13.6C | X29/ST/16 | 13.9C |
| F35/1 | 18.5B | K31/A/4 | 18.2D | M4.2/S1/1 | 12.4G | M19.2/1 | 14.3A | R20/1 | 16.2F | S20/X2/2 | 18.6E | W3/XS27 | 15.3B | X11/BU/4 | 16.5B | X29/BU/6 | 13.8C | X29/ST/16 | 14.8C |
| F35/2 | 18.5B | K31/A/5 | 18.2D | M4.2/S1/2 | 12.4G | M19.2/2 | 14.3B | R20/2 | 16.2F | S20/X2/3 | 18.6F | W3/XS30 | 15.2C | X11/BU/5 | 16.5B | X29/BU/7 | 13.8C | X29/ST/17 | 13.6C |
| H1/N | 9.4G | K31/B/1 | 18.9E | M5.1/N | 11.5G | M19.2/3 | 14.3A | R20/3 | 16.2F | S20/X2/4 | 18.6E | W3/XS31 | 15.9D | X11/BU/6 | 16.5B | X29/BU/8 | 13.7C | X29/ST/17 | 14.6C |
| H1/P | 9.4F | K31/B/2 | 18.9E | M5.1/P | 11.5G | M19.2/4 | 14.3B | R20/4 | 16.2F | S20/X2/5 | 18.6F | W3/XS32 | 17.4B | X11/BU/7 | 16.5B | X29/BU/9 | 13.7C | X29/ST/18 | |
| K1/A1/1 | 7.2F | K31/B/3 | 18.8E | M5.1/S1/1 | 11.5G | M20.1/1 | 13.5A | R29/1 | 20.8D | S20/X2/6 | 18.6F | W3/XS33 | 17.4C | X11/BU/8 | 16.5B | X29/BU/10 | 13.5C | X29/ST/18 | |
| K1/A2/1 | 7.2F | K31/B/4 | 18.8E | M5.1/S1/2 | 11.5G | M20.1/2 | 13.5B | R29/2 | 20.8E | S21/INC1 | 15.9E | W3/XS34 | 22.2G | X11/ST/1 | | X29/BU/11 | 13.5C | X32/ST/1 | 22.2C |
| K1/K1/1 | 7.2F | K31/B/5 | 18.8E | M5.2/N | 12.5G | M20.1/3 | 13.5A | R102/1 | 20.4C | S21/INC2 | 15.9E | W3/XS37 | 15.8F | X11/ST/1 | | X29/BU/12 | | X32/ST/2 | 22.2C |
| K1/K1/2 | 7.3F | M1/U | 15.5G | M5.2/P | 12.4G | M20.1/4 | 13.5B | R102/2 | 20.4C | S21/NO1 | 15.9E | W3/XS38 | 15.8G | X11/ST/2 | 16.4B | X29/BU/13 | | X43/A/1 | 8.9E |
| K1/K2/1 | 7.3F | M1/V | 15.6G | M5.2/S1/1 | 12.5G | M20.2/1 | 14.4A | S1/1 | 8.2C | S21/NO2 | 15.9E | W3/XS56 | 9.3E | X11/ST/2 | | X29/BU/14 | 13.6C | X43/A/2 | 8.8F |
| K1/K3/1 | 7.3F | M1/W | 15.6G | M5.2/S1/2 | 12.5G | M20.2/2 | 14.4B | S1/2 | 8.2C | S29/1 | 20.7F | W3/XS57 | 9.3F | X11/ST/3 | | X29/BU/15 | 13.8C | X43/A/3 | 8.8F |
| K1/K3/2 | 7.3F | M1/X1/1 | 15.7G | M6/A | 14.8F | M20.2/3 | 14.5A | S1/UBat | 8.2C | S29/2 | 20.7F | W3/XS59 | | X11/ST/3 | | X29/BU/16 | 13.9C | X43/A/4 | 8.8E |
| K1/K4/1 | 7.3F | M1/X1/2 | 15.7G | M6/B | 14.8G | M20.2/4 | 14.5B | S2/1 | 16.4F | S29/3 | 20.7F | W3/XS60 | | X11/ST/4 | 16.5B | X29/BU/17 | 13.6C | X43/B/2 | 8.9F |
| K2/N | 15.1C | M1/X1/3 | 15.7G | M7/1 | 21.5E | M21.1/N | 13.2B | S2/2 | 16.4F | S29/4 | 20.7F | W3/XS61 | 9.3F | X11/ST/4 | | X29/BU/18 | | X43/B/3 | 8.9F |
| K2/N | 15.1C | M1/X1/4 | 15.7G | M7/2 | 21.5E | M21.1/P | 13.2A | S2/3 | 16.4F | T1/1 | 18.2F | W3/XS62 | 9.3G | X11/ST/5 | 16.5B | X29/ST/1 | 13.5C | X43/B/4 | 8.10F |
| K2/P | 15.1B | M1/X2/1 | 15.7G | M8/1 | 20.5G | M21.1/X3/1 | 13.3A | S5/1 | 10.5A | T1/2 | 18.2G | W19/XS25 | 16.2B | X11/ST/5 | | X29/ST/1 | 14.4C | X43/B/5 | 8.10F |
| K2/P | 15.1B | M1/X2/2 | 15.7G | M8/2 | 10.5G | M21.1/X3/2 | 13.3B | S5/2 | 10.5A | T1/3 | 18.2F | W19/XS63 | 16.5C | X11/ST/6 | 16.5B | X29/ST/2 | 13.5C | X53/BU/1 | 14.2E |
| K3/N | 16.2C | M1/X2/3 | 15.8G | M9/1 | 11.2B | M21.2/N | 14.2B | S5/3 | 10.5B | T1/4 | 18.3F | W28/XS16 | 10.8E | X11/ST/6 | | X29/ST/2 | 14.5C | X53/BU/2 | 14.3E |
| K3/N | 16.1C | M1/X3/1 | 15.6G | M9/2 | 11.2B | M21.2/P | 14.2A | S5/4 | 10.5B | T1/5 | 18.3G | W29/XS14 | 9.5F | X11/ST/7 | 16.5B | X29/ST/3 | | X53/BU/3 | 14.3E |
| K3/P | 16.2B | M1/X3/2 | 15.6G | M9/3 | 11.3B | M21.2/X3/1 | 14.2A | S6/1 | 18.3E | T1/6 | 18.2G | W59/XS18 | 13.3B | X11/ST/7 | 16.7B | X29/ST/3 | | X53/BU/4 | |
| K3/P | 16.1B | M2/U | 16.5G | M9/4 | 11.3B | M21.2/X3/2 | 14.2B | S6/2 | 18.3E | V1/1 | 9.3F | W59/XS19 | 13.4C | X11/ST/8 | | X29/ST/4 | | X53/BU/5 | 14.5E |
| K8/D1/1 | 14.6F | M2/V | 16.5G | M9/5 | 11.3B | M24.1/1 | 13.8B | S6/3 | 18.3E | V1/2 | 9.3F | W59/XS35 | 14.3B | X11/ST/8 | 16.7B | X29/ST/4 | | X53/BU/6 | 14.6E |
| K8/D2/1 | 14.7F | M2/W | 16.5G | M9/6 | 11.3B | M24.1/2 | 13.8A | S6/4 | 15.8G | V2/1 | 15.8G | W59/XS36 | 14.3C | X20/BU/1 | 11.5E | X29/ST/5 | 13.6C | X53/BU/7 | |
| K8/FA1/1 | 14.6F | M2/X1/1 | 16.6G | M10/1 | 11.4B | M24.2/1 | 14.7B | S6/5 | 18.4E | V2/2 | 15.8G | W79/XS39 | 19.2F | X20/BU/2 | 11.5E | X29/ST/5 | 14.6C | X53/BU/8 | 14.5E |
| K8/FA2/1 | 14.6G | M2/X1/2 | 16.6G | M10/2 | 11.4C | M24.2/2 | 14.7A | S6/7 | 18.4E | W3/XS1 | 7.6C | W79/XS41 | 19.2H | X20/BU/3 | 11.5E | X29/ST/6 | 13.8C | X53/BU/9 | 14.2E |
| K8/N/1 | 14.7G | M2/X1/3 | 16.6G | M13.1/1 | 13.6A | M25.1/1 | 13.8B | S6/8 | 18.4E | W3/XS2 | 7.5F | W77/XS40 | 19.7F | X20/BU/4 | 11.5E | X29/ST/6 | 14.7C | X53/BU/10 | 14.3E |
| K8/P/1 | 14.6G | M2/X1/4 | 16.6G | M13.1/2 | 13.6B | M25.1/2 | 13.8A | S6/10 | 18.4E | W3/XS3 | 7.6F | W77/XS42 | 19.7H | X20/BU/5 | 11.5E | X29/ST/7 | 13.8C | X53/BU/11 | 14.4E |
| K8/RA1/1 | 14.6F | M2/X2/1 | 16.7G | M13.1/3 | 13.6B | M25.2/1 | 14.8B | S6/17 | 18.4E | W3/XS4 | 8.1E | W79/9P01 | | X20/BU/6 | 11.6E | X29/ST/7 | 14.8C | X53/BU/12 | |
| K8/RA2/1 | 14.6G | M2/X2/2 | 16.7G | M13.1/4 | 13.6A | M25.2/2 | 14.8A | S6/18 | 18.4E | W3/XS5 | 8.2E | W79/XS43 | 18.2C | X20/ST/1 | 11.5E | X29/ST/8 | 13.7C | X53/BU/13 | 14.5E |
| K20/1 | 18.9G | M2/X3/1 | 16.5G | M13.1/5 | 13.7B | M26/M+ | 22.3F | S11/1 | 14.2G | W3/XS6 | 8.8C | W79/XS44 | 18.2E | X20/ST/1 | 12.5E | X29/ST/8 | 14.7C | X53/BU/14 | 14.6E |

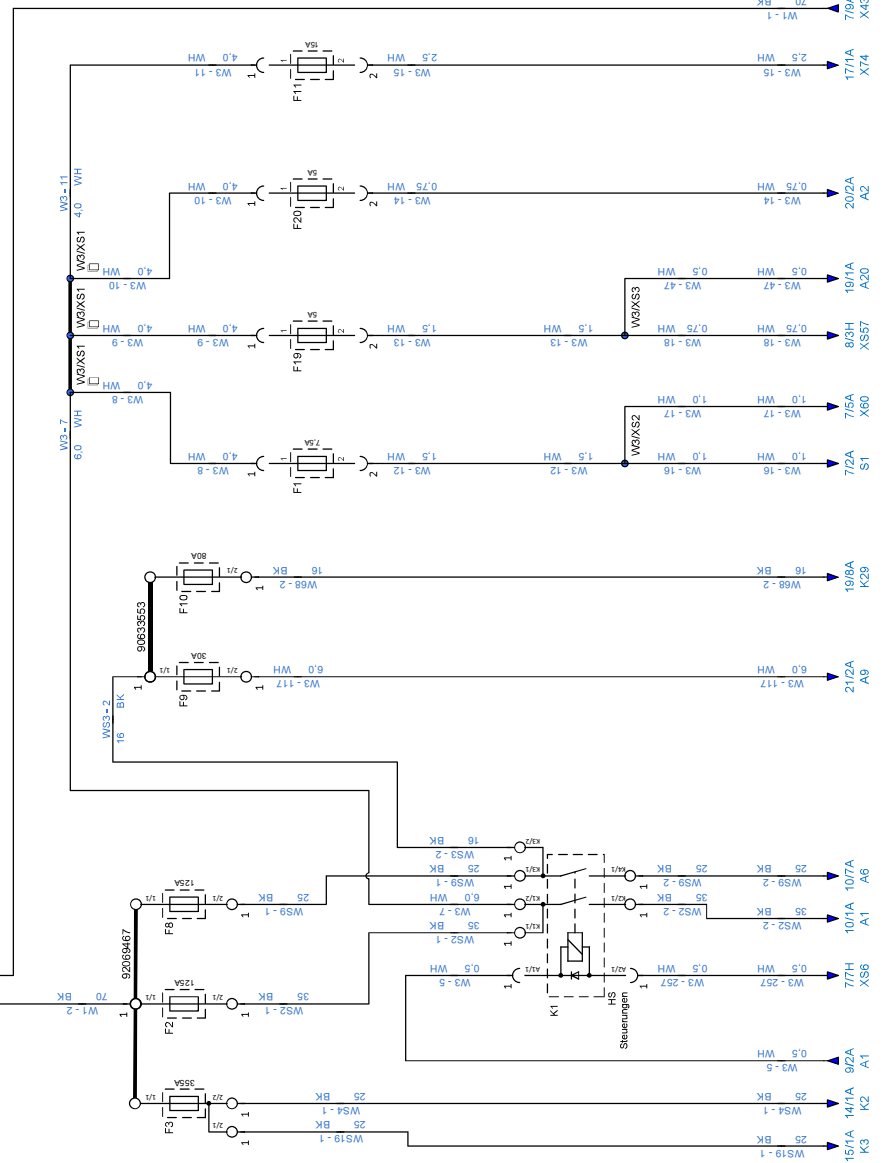
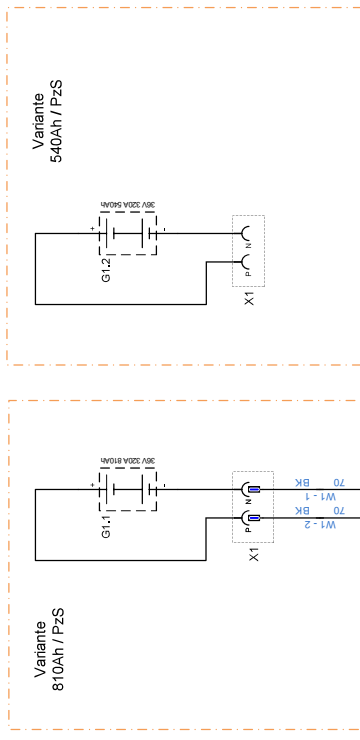
| | | | | | | | | | | | |
|----------------|--|------------|--|---------|--|--|--|----------------|--|-----------|--|
| Name | | B400 R | | Name | | Schaltplan B400 R / circuit diagram B400 R | | Drawing Number | | 91040360 | |
| Date | | 08.12.2020 | | Date | | 18.03.2021 | | Type | | Type 7437 | |
| Drawn | | 09.10.2020 | | Printed | | 18.03.2021 | | Dept. | | DS | |
| Verified | | | | Name | | | | No. of | | Sheet 4 | |
| Replacment for | | 4315-65 | | No. of | | 27 | | No. of | | 11 | |
| 4315-65 | | | | No. of | | 27 | | No. of | | 11 | |

| Name | Position | Name | Position | Name | Position | Name | Position |
|-----------|----------|-----------|----------|-----------|----------|-----------|----------|
| X53/BU/15 | | X65/ST/1 | 17.4E | X73/BU/1 | 22.5C | X77/ST/3 | 19.8E |
| X53/BU/16 | 14.5E | X65/ST/2 | 17.4E | X73/BU/2 | 22.5C | X77/ST/4 | 19.8E |
| X53/ST/1 | 14.2E | X66/BU/1 | 17.4D | X73/BU/3 | 22.6C | X78/BU/1 | 19.5D |
| X53/ST/2 | 14.3E | X66/BU/2 | 17.5D | X73/ST/1 | 22.5C | X78/BU/2 | 19.5D |
| X53/ST/3 | 14.3E | X66/BU/3 | 17.5D | X73/ST/2 | 22.5C | X78/BU/3 | 19.5D |
| X53/ST/4 | | X66/BU/4 | 17.5D | X73/ST/3 | 22.6C | X78/BU/4 | 19.5D |
| X53/ST/5 | 14.5E | X66/BU/5 | 17.5D | X74/BU/A | 18.1B | X78/BU/5 | 19.5D |
| X53/ST/6 | 14.8E | X66/BU/6 | 17.5D | X74/BU/B | 18.2B | X78/BU/6 | 19.5D |
| X53/ST/7 | | X66/ST/1 | 17.4D | X74/ST/A | 18.1B | X78/BU/7 | 19.6D |
| X53/ST/8 | 14.5E | X66/ST/2 | 17.5D | X74/ST/B | 18.2B | X78/BU/8 | 19.6D |
| X53/ST/9 | 14.2E | X66/ST/3 | 17.5D | X75/BU/1 | 18.7C | X78/BU/9 | 19.6D |
| X53/ST/10 | 14.3E | X66/ST/4 | 17.5D | X75/BU/2 | 18.7C | X78/BU/10 | 19.6D |
| X53/ST/11 | 14.4E | X66/ST/5 | 17.5D | X75/BU/3 | 18.7C | X78/ST/1 | 19.5D |
| X53/ST/12 | | X66/ST/6 | 17.5D | X75/BU/4 | 18.8C | X78/ST/2 | 19.5D |
| X53/ST/13 | 14.5E | X68/BU/1 | 20.6D | X75/BU/5 | 18.8C | X78/ST/3 | 19.5D |
| X53/ST/14 | 14.9E | X68/BU/2 | | X75/BU/6 | 18.7C | X78/ST/4 | 19.5D |
| X53/ST/15 | | X68/BU/3 | 20.6D | X75/BU/7 | 18.7C | X78/ST/5 | 19.5D |
| X53/ST/16 | 14.5E | X68/BU/4 | 20.7D | X75/BU/8 | 18.8C | X78/ST/6 | 19.5D |
| X60/BU/1 | 8.4B | X68/BU/5 | 20.7D | X75/BU/9 | 18.8C | X78/ST/7 | 19.6D |
| X60/BU/2 | | X68/BU/6 | 20.6D | X75/BU/10 | 18.9C | X78/ST/8 | 19.6D |
| X60/BU/3 | | X68/BU/7 | | X75/ST/1 | 18.7C | X78/ST/9 | 19.6D |
| X60/BU/4 | 8.4C | X68/BU/8 | 20.6D | X75/ST/2 | 18.7C | X78/ST/10 | 19.6D |
| X60/BU/5 | | X68/BU/9 | 20.7D | X75/ST/3 | 18.7C | X80/BU/1 | 10.3G |
| X60/BU/6 | 8.4C | X68/BU/10 | 20.7D | X75/ST/4 | 18.8C | X80/BU/2 | 10.3G |
| X60/BU/7 | | X68/ST/1 | 20.6D | X75/ST/5 | 18.8C | X97/1 | 10.2G |
| X60/BU/8 | | X68/ST/2 | | X75/ST/6 | 18.7C | X97/2 | 10.2G |
| X60/BU/9 | | X68/ST/3 | 20.6D | X75/ST/7 | 18.7C | X97/3 | 10.2G |
| X60/BU/10 | | X68/ST/4 | 20.7D | X75/ST/8 | 18.8C | X97/4 | 10.2G |
| X60/BU/11 | 8.4C | X68/ST/5 | 20.7D | X75/ST/9 | 18.8C | X100/1 | 9.5G |
| X60/BU/12 | 8.4C | X68/ST/6 | 20.6D | X75/ST/10 | 18.9C | X101/1 | 10.8F |
| X60/BU/13 | | X68/ST/7 | | X76/BU/1 | 19.2E | XE14/ST/1 | 17.8E |
| X60/BU/14 | 8.4C | X68/ST/8 | 20.6D | X76/BU/2 | 19.2E | XE14/ST/1 | 17.9E |
| X60/BU/15 | | X68/ST/9 | 20.7D | X76/BU/3 | 19.2E | XE14/ST/2 | 17.8E |
| X60/BU/16 | 8.4C | X68/ST/10 | 20.7D | X76/BU/4 | 19.2E | XE14/ST/2 | 17.9E |
| X63/BU/1 | 21.5D | X69/BU/1 | 17.5E | X76/ST/1 | 19.2E | Y1/1 | 10.6E |
| X63/BU/2 | 21.6D | X69/BU/2 | 17.5E | X76/ST/2 | 19.2E | Y1/2 | 10.6F |
| X63/BU/3 | 21.6D | X69/ST/1 | 17.5E | X76/ST/3 | 19.2E | Y3/1 | 21.6E |
| X63/BU/4 | 21.6D | X69/ST/2 | 17.5E | X76/ST/4 | 19.2E | Y3/2 | 21.6E |
| X63/ST/1 | 21.5D | X72/BU/1 | 22.5D | X77/BU/1 | 19.8E | | |
| X63/ST/2 | 21.6D | X72/BU/2 | 22.5D | X77/BU/2 | 19.8E | | |
| X63/ST/3 | 21.6D | X72/BU/3 | 22.6D | X77/BU/3 | 19.8E | | |
| X63/ST/4 | 21.6D | X72/ST/1 | 22.5D | X77/BU/4 | 19.8E | | |
| X65/BU/1 | 17.4E | X72/ST/2 | 22.5D | X77/ST/1 | 19.8E | | |
| X65/BU/2 | 17.4E | X72/ST/3 | 22.6D | X77/ST/2 | 19.8E | | |

| | | | | | | | | | | | | | | | | | | | | | |
|-----------------|--|----------------------|--|------------|--|---------|--|------------|--|------|--|---------|--|------------|--|------|--|---------|--|---------|--|
| Freigebevermerk | | 1 | | * * | | 4320-82 | | 08.12.2020 | | Name | | Date | | Name | | Date | | Name | | Date | |
| | | No. (Number appears) | | Change No. | | | | | | Name | | Printed | | 18.03.2021 | | Name | | Printed | | 4315-65 | |
| | | 1 | | * * | | 4320-82 | | 08.12.2020 | | Name | | Date | | Name | | Date | | Name | | Date | |
| | | 1 | | * * | | 4320-82 | | 08.12.2020 | | Name | | Date | | Name | | Date | | Name | | Date | |
| | | 1 | | * * | | 4320-82 | | 08.12.2020 | | Name | | Date | | Name | | Date | | Name | | Date | |
| | | 1 | | * * | | 4320-82 | | 08.12.2020 | | Name | | Date | | Name | | Date | | Name | | Date | |
| | | 1 | | * * | | 4320-82 | | 08.12.2020 | | Name | | Date | | Name | | Date | | Name | | Date | |
| | | 1 | | * * | | 4320-82 | | 08.12.2020 | | Name | | Date | | Name | | Date | | Name | | Date | |
| | | 1 | | * * | | 4320-82 | | 08.12.2020 | | Name | | Date | | Name | | Date | | Name | | Date | |
| | | 1 | | * * | | 4320-82 | | 08.12.2020 | | Name | | Date | | Name | | Date | | Name | | Date | |
| | | 1 | | * * | | 4320-82 | | 08.12.2020 | | Name | | Date | | Name | | Date | | Name | | Date | |
| | | 1 | | * * | | 4320-82 | | 08.12.2020 | | Name | | Date | | Name | | Date | | Name | | Date | |
| | | 1 | | * * | | 4320-82 | | 08.12.2020 | | Name | | Date | | Name | | Date | | Name | | Date | |
| | | 1 | | * * | | 4320-82 | | 08.12.2020 | | Name | | Date | | Name | | Date | | Name | | Date | |
| | | 1 | | * * | | 4320-82 | | 08.12.2020 | | Name | | Date | | Name | | Date | | Name | | Date | |
| | | 1 | | * * | | 4320-82 | | 08.12.2020 | | Name | | Date | | Name | | Date | | Name | | Date | |
| | | 1 | | * * | | 4320-82 | | 08.12.2020 | | Name | | Date | | Name | | Date | | Name | | Date | |
| | | 1 | | * * | | 4320-82 | | 08.12.2020 | | Name | | Date | | Name | | Date | | Name | | Date | |
| | | 1 | | * * | | 4320-82 | | 08.12.2020 | | Name | | Date | | Name | | Date | | Name | | Date | |
| | | 1 | | * * | | 4320-82 | | 08.12.2020 | | Name | | Date | | Name | | Date | | Name | | Date | |
| | | 1 | | * * | | 4320-82 | | 08.12.2020 | | Name | | Date | | Name | | Date | | Name | | Date | |
| | | 1 | | * * | | 4320-82 | | 08.12.2020 | | Name | | Date | | Name | | Date | | Name | | Date | |
| | | 1 | | * * | | 4320-82 | | 08.12.2020 | | Name | | Date | | Name | | Date | | Name | | Date | |
| | | 1 | | * * | | 4320-82 | | 08.12.2020 | | Name | | Date | | Name | | Date | | Name | | Date | |
| | | 1 | | * * | | 4320-82 | | 08.12.2020 | | Name | | Date | | Name | | Date | | Name | | Date | |
| | | 1 | | * * | | 4320-82 | | 08.12.2020 | | Name | | Date | | Name | | Date | | Name | | Date | |
| | | 1 | | * * | | 4320-82 | | 08.12.2020 | | Name | | Date | | Name | | Date | | Name | | Date | |
| | | 1 | | * * | | 4320-82 | | 08.12.2020 | | Name | | Date | | Name | | Date | | Name | | Date | |
| | | 1 | | * * | | 4320-82 | | 08.12.2020 | | Name | | Date | | Name | | Date | | Name | | Date | |
| | | 1 | | * * | | 4320-82 | | 08.12.2020 | | Name | | Date | | Name | | Date | | Name | | Date | |
| | | 1 | | * * | | 4320-82 | | 08.12.2020 | | Name | | Date | | Name | | Date | | Name | | Date | |
| | | 1 | | * * | | 4320-82 | | 08.12.2020 | | Name | | Date | | Name | | Date | | Name | | Date | |
| | | 1 | | * * | | 4320-82 | | 08.12.2020 | | Name | | Date | | Name | | Date | | Name | | Date | |
| | | 1 | | * * | | 4320-82 | | 08.12.2020 | | Name | | Date | | Name | | Date | | Name | | Date | |
| | | 1 | | * * | | 4320-82 | | 08.12.2020 | | Name | | Date | | Name | | Date | | Name | | Date | |
| | | 1 | | * * | | 4320-82 | | 08.12.2020 | | Name | | Date | | Name | | Date | | Name | | Date | |
| | | 1 | | * * | | 4320-82 | | 08.12.2020 | | Name | | Date | | Name | | Date | | Name | | Date | |
| | | 1 | | * * | | 4320-82 | | 08.12.2020 | | Name | | Date | | Name | | Date | | Name | | Date | |
| | | 1 | | * * | | 4320-82 | | 08.12.2020 | | Name | | Date | | Name | | Date | | Name | | Date | |
| | | 1 | | * * | | 4320-82 | | 08.12.2020 | | Name | | Date | | Name | | Date | | Name | | Date | |
| | | 1 | | * * | | 4320-82 | | 08.12.2020 | | Name | | Date | | Name | | Date | | Name | | Date | |
| | | 1 | | * * | | 4320-82 | | 08.12.2020 | | Name | | Date | | Name | | Date | | Name | | Date | |
| | | 1 | | * * | | 4320-82 | | 08.12.2020 | | Name | | Date | | Name | | Date | | Name | | Date | |
| | | 1 | | * * | | 4320-82 | | 08.12.2020 | | Name | | Date | | Name | | Date | | Name | | Date | |
| | | 1 | | * * | | 4320-82 | | 08.12.2020 | | Name | | Date | | Name | | Date | | Name | | Date | |
| | | 1 | | * * | | 4320-82 | | 08.12.2020 | | Name | | Date | | Name | | Date | | Name | | Date | |
| | | 1 | | * * | | 4320-82 | | 08.12.2020 | | Name | | Date | | Name | | Date | | Name | | Date | |
| | | 1 | | * * | | 4320-82 | | 08.12.2020 | | Name | | Date | | Name | | Date | | Name | | Date | |
| | | 1 | | * * | | 4320-82 | | 08.12.2020 | | Name | | Date | | Name | | Date | | Name | | Date | |
| | | 1 | | * * | | 4320-82 | | 08.12.2020 | | Name | | Date | | Name | | Date | | Name | | Date | |
| | | 1 | | * * | | 4320-82 | | 08.12.2020 | | Name | | Date | | Name | | Date | | Name | | Date | |
| | | 1 | | * * | | 4320-82 | | 08.12.2020 | | Name | | Date | | Name | | Date | | Name | | Date | |
| | | 1 | | * * | | 4320-82 | | 08.12.2020 | | Name | | Date | | Name | | Date | | Name | | Date | |
| | | 1 | | * * | | 4320-82 | | 08.12.2020 | | Name | | Date | | Name | | Date | | Name | | Date | |
| | | 1 | | * * | | 4320-82 | | 08.12.2020 | | Name | | Date | | Name | | Date | | Name | | Date | |
| | | 1 | | * * | | 4320-82 | | 08.12.2020 | | Name | | Date | | Name | | Date | | Name | | Date | |
| | | 1 | | * * | | 4320-82 | | 08.12.2020 | | Name | | Date | | Name | | Date | | Name | | Date | |
| | | 1 | | * * | | 4320-82 | | 08.12.2020 | | Name | | Date | | Name | | Date | | Name | | Date | |
| | | 1 | | * * | | 4320-82 | | 08.12.2020 | | Name | | Date | | Name | | Date | | Name | | Date | |
| | | 1 | | * * | | 4320-82 | | 08.12.2020 | | Name | | Date | | Name | | Date | | Name | | Date | |
| | | 1 | | * * | | 4320-82 | | 08.12.2020 | | Name | | Date | | Name | | Date | | Name | | Date | |
| | | 1 | | * * | | 4320-82 | | 08.12.2020 | | Name | | | | | | | | | | | |

Legende

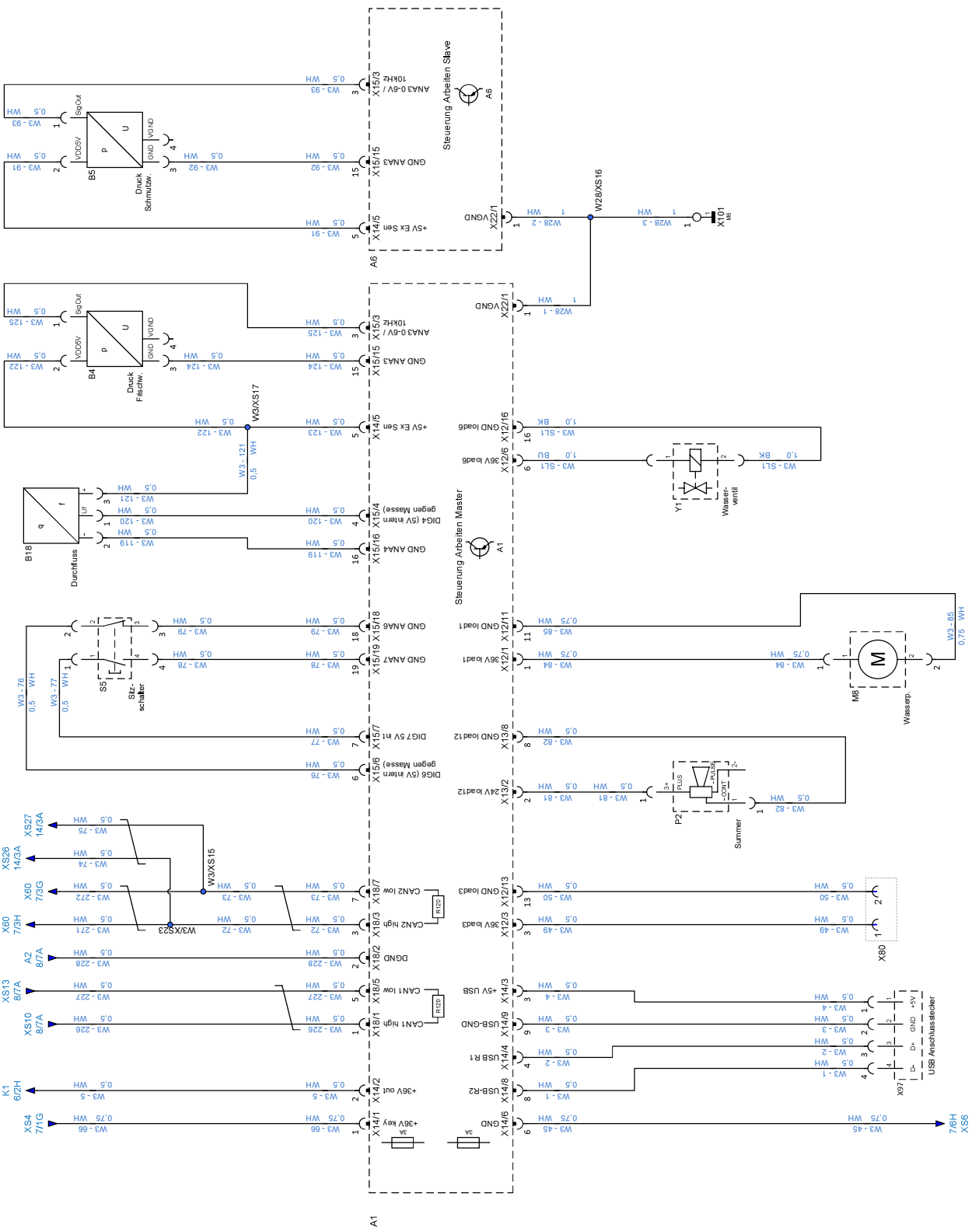
- F1 Sicherung Schlüsselshalter 7,5A
fuse keyswitch 7,5A
- F2 Sicherung Steuerung A1 125A
fuse controller A1 125A
- F3 Sicherung Fahrer 355A
fuse driver 355A
- F8 Sicherung Steuerung A6 125A
fuse Steuerung A6 125A
- F9 Sicherung Lenken 30A
fuse steering 30A
- F10 Sicherung Hochdruckreiniger 80A
fuse high-pressure cleaner 80A
- F11 Sicherung SVZ0 15A
fuse road traffic act 15A
- F19 Sicherung Hupe / Fleet 5A
fuse horn / fleet 5A
- F20 Sicherung Anzeige 5A
fuse display 5A
- G1.1 Batterie 36V 320A 810Ah
battery 36V 320A 810Ah
- G1.2 Batterie 36V 320A 540Ah
battery 36V 320A 540Ah
- K1 Hauptschutz 36V
main contactor 36V
- W3/XS1 USSP
- W3/XS2 USSP
- W3/XS3 USSP
- X1 Batteriestecker 2-pol. w1
battery connector 2-pol. w1



| | | |
|--|----------------------|-----------------------------------|
| Schaltplan B400 R / circuit diagram B400 R | | Drawing Number 91040360 |
| Engineering Base 6.9.1 (Type 7437 - Dept. DS D-7380 Ger. Industrie) | | No. of Sh. 27 Sheet 6 |
| Name B400 R | Date 12.03.2020 | No. of Sh. 27 Sheet 6 |
| Replacement for 4315-65 | Drawn 12.03.2020 | |
| | Verified | |
| | Ri | |
| | Name | |
| | Date | |
| | 4320-82 | |
| | No. (Number appears) | |
| | Change No. | |
| | 1 | |
| | * * | |
| Freigebevermerk | | |

Legende

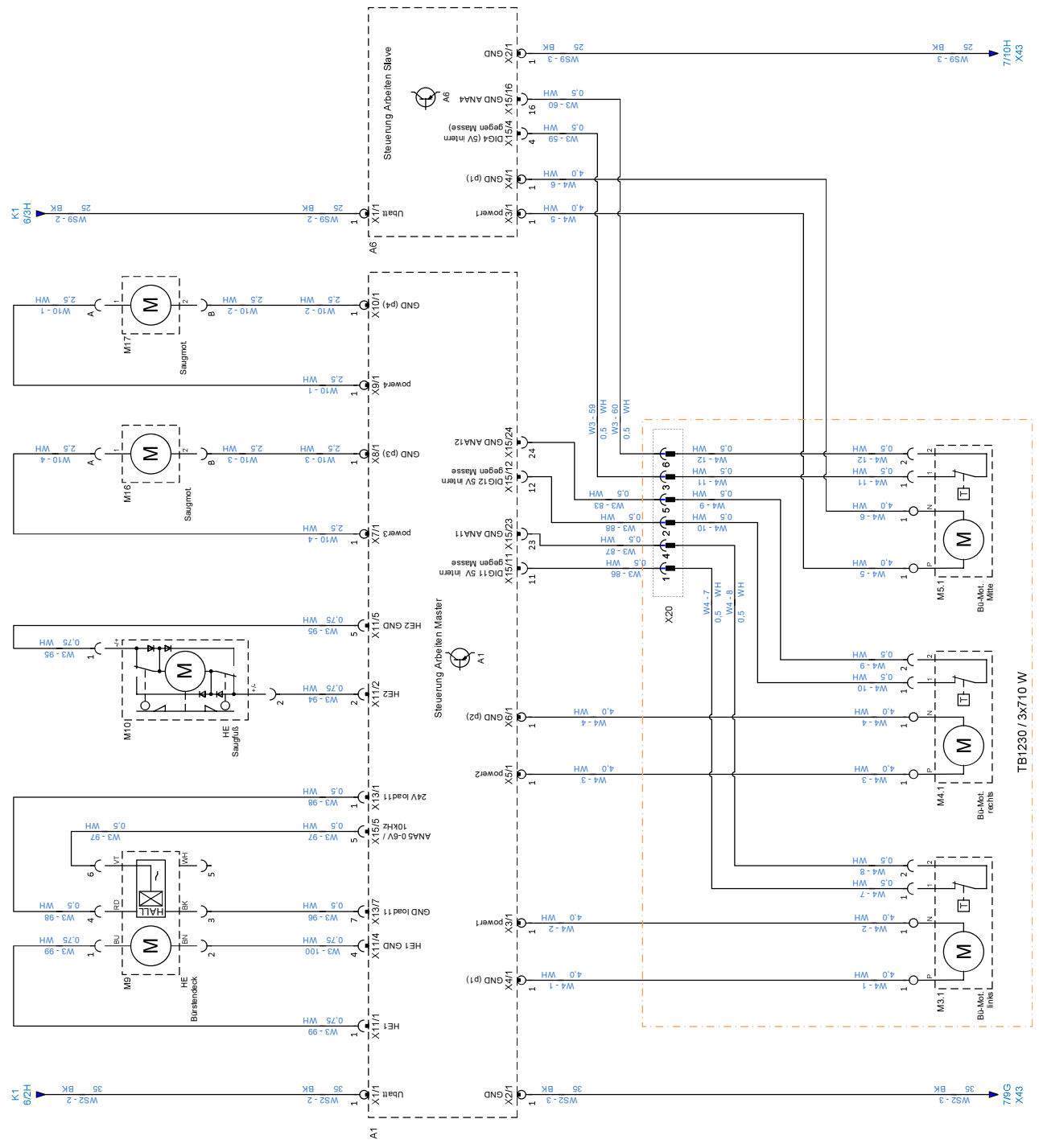
- A1 Steuerung Arbeiten Master
- A6 controller working master
- B4 controller working slave
- B5 Drucksensor Frischwassertank
- B5 Drucksensor Schmutzwassertank
- B18 Durchflussmessgeraet
- M8 Wasserpumpe
- P2 Signalgeber
- S5 Sitzschalter
- W3/XS15 USSP
- W3/XS17 USSP
- W3/XS23 USSP
- W28/XS16 USSP
- X80 Mini Fit Jr. 2-pol. W80-W3
- X97 Mini Fit Jr. 2-pol. W80-W3
- X101 USB 4-pol. Ampheno1
- Y1 Chassi M6
- Y1 Chassis M6
- Y1 Wasserventil



| | | | | | | | | | | | | | | | | | | | |
|-----------------|--|--|--|------------|--|----------|--|---------------|--|---------|--|----------|--|---------------------------------|--|---------------------------------|--|---------------------------------|--|
| Freigabevermerk | | Name | | Date | | Ri | | Date | | Name | | Date | | No. (Number appears/Change No.) | | No. (Number appears/Change No.) | | No. (Number appears/Change No.) | |
| | | B400 R | | 12.03.2020 | | 4320-82 | | 08.12.2020 | | * * | | 1 | | 4320-82 | | 08.12.2020 | | 4320-82 | |
| | | Schaltplan B400 R / circuit diagram B400 R | | 12.03.2020 | | 4320-82 | | 08.12.2020 | | * * | | 1 | | 4320-82 | | 08.12.2020 | | 4320-82 | |
| | | Engineering Base 63.9.1 | | Type 7437 | | Dept. DS | | No. of Sh. 27 | | Sheet 9 | | 91040360 | | 91040360 | | 91040360 | | 91040360 | |
| | | Engineering Base 63.9.1 | | Type 7437 | | Dept. DS | | No. of Sh. 27 | | Sheet 9 | | 91040360 | | 91040360 | | 91040360 | | 91040360 | |

Legende

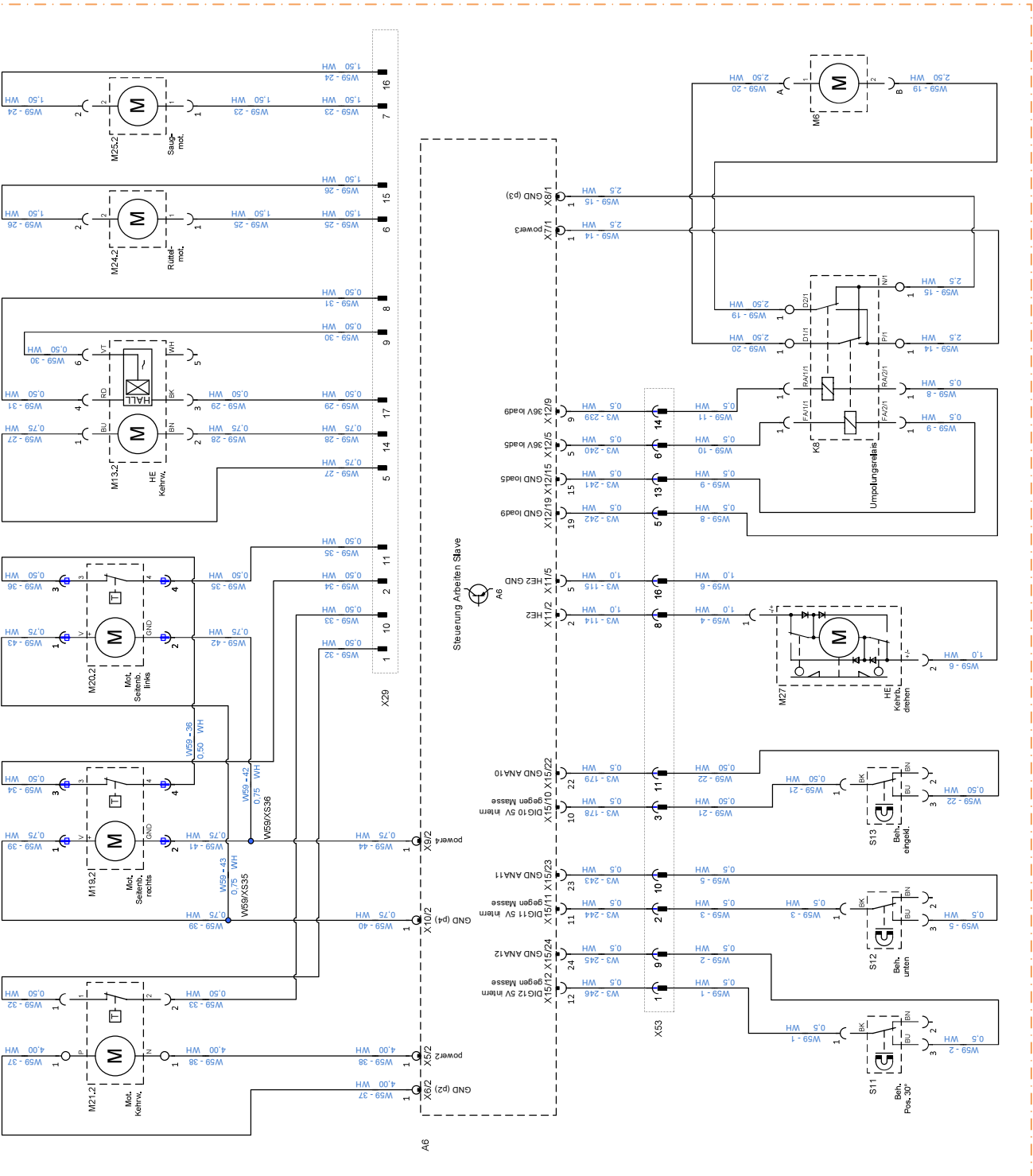
- A1 Steuerung Arbeiten Master
- A6 controller working master
- A6 Steuerung Arbeiten Slave
- M3.1 Tellerbürstenmotor links TB1230
- M4.1 Tellerbürstenmotor rechts TB1230
- M5.1 Tellerbürstenmotor mitte TB1230
- M9 Hubelement Bürstendeck 24V
- M10 actuator brush deck 24V
- M10 Hubelement Saugfuß
- M16 Saugmotor 36V
- M17 suction motor 36V
- M17 Saugmotor 36V
- X20 suction motor 36V
- X20 Mini-Fit Jr. 6-pol. w5-w3
- X20 Mini-Fit Jr. 6-pol. w5-w3



| | | | | | |
|--|--|---|--|-----------------------------------|--|
| | | Schaltplan B400 R / circuit diagram B400 R | | Drawing Number 91040360 | |
| Engineering Base 6.9.1 Type 7437 Dept. DS | | No. of Sh. 27 | | Sheet 10 | |
| For this drawing, we reserve all rights (acc. DIN ISO 18016) | | Name B400 R | | Date 12.03.2020 | |
| No. Number appears Change No. | | Name Ri | | Date 08.12.2020 | |
| No. Number appears Change No. | | Name Ri | | Date 08.12.2020 | |
| No. Number appears Change No. | | Name Ri | | Date 08.12.2020 | |
| No. Number appears Change No. | | Name Ri | | Date 08.12.2020 | |
| No. Number appears Change No. | | Name Ri | | Date 08.12.2020 | |
| No. Number appears Change No. | | Name Ri | | Date 08.12.2020 | |
| No. Number appears Change No. | | Name Ri | | Date 08.12.2020 | |
| No. Number appears Change No. | | Name Ri | | Date 08.12.2020 | |
| No. Number appears Change No. | | Name Ri | | Date 08.12.2020 | |
| No. Number appears Change No. | | Name Ri | | Date 08.12.2020 | |
| No. Number appears Change No. | | Name Ri | | Date 08.12.2020 | |
| No. Number appears Change No. | | Name Ri | | Date 08.12.2020 | |
| No. Number appears Change No. | | Name Ri | | Date 08.12.2020 | |
| No. Number appears Change No. | | Name Ri | | Date 08.12.2020 | |
| No. Number appears Change No. | | Name Ri | | Date 08.12.2020 | |
| No. Number appears Change No. | | Name Ri | | Date 08.12.2020 | |
| No. Number appears Change No. | | Name Ri | | Date 08.12.2020 | |
| No. Number appears Change No. | | Name Ri | | Date 08.12.2020 | |
| No. Number appears Change No. | | Name Ri | | Date 08.12.2020 | |
| No. Number appears Change No. | | Name Ri | | Date 08.12.2020 | |
| No. Number appears Change No. | | Name Ri | | Date 08.12.2020 | |
| No. Number appears Change No. | | Name Ri | | Date 08.12.2020 | |
| No. Number appears Change No. | | Name Ri | | Date 08.12.2020 | |
| No. Number appears Change No. | | Name Ri | | Date 08.12.2020 | |
| No. Number appears Change No. | | Name Ri | | Date 08.12.2020 | |
| No. Number appears Change No. | | Name Ri | | Date 08.12.2020 | |
| No. Number appears Change No. | | Name Ri | | Date 08.12.2020 | |
| No. Number appears Change No. | | Name Ri | | Date 08.12.2020 | |
| No. Number appears Change No. | | Name Ri | | Date 08.12.2020 | |
| No. Number appears Change No. | | Name Ri | | Date 08.12.2020 | |
| No. Number appears Change No. | | Name Ri | | Date 08.12.2020 | |
| No. Number appears Change No. | | Name Ri | | Date 08.12.2020 | |
| No. Number appears Change No. | | Name Ri | | Date 08.12.2020 | |
| No. Number appears Change No. | | Name Ri | | Date 08.12.2020 | |
| No. Number appears Change No. | | Name Ri | | Date 08.12.2020 | |
| No. Number appears Change No. | | Name Ri | | Date 08.12.2020 | |
| No. Number appears Change No. | | Name Ri | | Date 08.12.2020 | |
| No. Number appears Change No. | | Name Ri | | Date 08.12.2020 | |
| No. Number appears Change No. | | Name Ri | | Date 08.12.2020 | |
| No. Number appears Change No. | | Name Ri | | Date 08.12.2020 | |
| No. Number appears Change No. | | Name Ri | | Date 08.12.2020 | |
| No. Number appears Change No. | | Name Ri | | Date 08.12.2020 | |
| No. Number appears Change No. | | Name Ri | | Date 08.12.2020 | |
| No. Number appears Change No. | | Name Ri | | Date 08.12.2020 | |
| No. Number appears Change No. | | Name Ri | | Date 08.12.2020 | |
| No. Number appears Change No. | | Name Ri | | Date 08.12.2020 | |
| No. Number appears Change No. | | Name Ri | | Date 08.12.2020 | |
| No. Number appears Change No. | | Name Ri | | Date 08.12.2020 | |
| No. Number appears Change No. | | Name Ri | | Date 08.12.2020 | |
| No. Number appears Change No. | | Name Ri | | Date 08.12.2020 | |
| No. Number appears Change No. | | Name Ri | | Date 08.12.2020 | |
| No. Number appears Change No. | | Name Ri | | Date 08.12.2020 | |
| No. Number appears Change No. | | Name Ri | | Date 08.12.2020 | |
| No. Number appears Change No. | | Name Ri | | Date 08.12.2020 | |
| No. Number appears Change No. | | Name Ri | | Date 08.12.2020 | |
| No. Number appears Change No. | | Name Ri | | Date 08.12.2020 | |
| No. Number appears Change No. | | Name Ri | | Date 08.12.2020 | |
| No. Number appears Change No. | | Name Ri | | Date 08.12.2020 | |
| No. Number appears Change No. | | Name Ri | | Date 08.12.2020 | |
| No. Number appears Change No. | | Name Ri | | Date 08.12.2020 | |
| No. Number appears Change No. | | Name Ri | | Date 08.12.2020 | |
| No. Number appears Change No. | | Name Ri | | Date 08.12.2020 | |
| No. Number appears Change No. | | Name Ri | | Date 08.12.2020 | |
| No. Number appears Change No. | | Name Ri | | Date 08.12.2020 | |
| No. Number appears Change No. | | Name Ri | | Date 08.12.2020 | |
| No. Number appears Change No. | | Name Ri | | Date 08.12.2020 | |
| No. Number appears Change No. | | Name Ri | | Date 08.12.2020 | |
| No. Number appears Change No. | | Name Ri | | Date 08.12.2020 | |
| No. Number appears Change No. | | Name Ri | | Date 08.12.2020 | |
| No. Number appears Change No. | | Name Ri | | | |

Legende

- A6 Steuerung Arbeiten Slave controller working slave
- k8 Umpolungsrelais 36V turn-over relay 36V
- M6 hydraulikmotor 36V hydraulic motor 36V
- M13+2 Hubelement Kehrwalze actuator sweeping broom
- M19+2 Motor seitenbesen rechts motor side broom right
- M20+2 Motor seitenbesen links motor side broom left
- M21+2 Motor kehrwalze 36V 600W motor sweeping broom 36V 600W
- M24+2 Rüttelmotor 36V vibration motor 36V
- M25+2 Saugmotor 36V suction motor 36V
- M27 Hubelement behälter drehen 24V actuator container move 24V
- S11 Schrittschalter behälter 30° switch container behälter 30°
- S12 Schrittschalter behälter unten switch container behälter unten
- S13 Schrittschalter behälter zu switch container behälter zu
- w59/XS35 USSP
- w59/XS36 USSP
- x29 Mini-Fit Jr. 18-pol. w59
- x53 Mini-Fit Jr. 16-pol. w59-w3

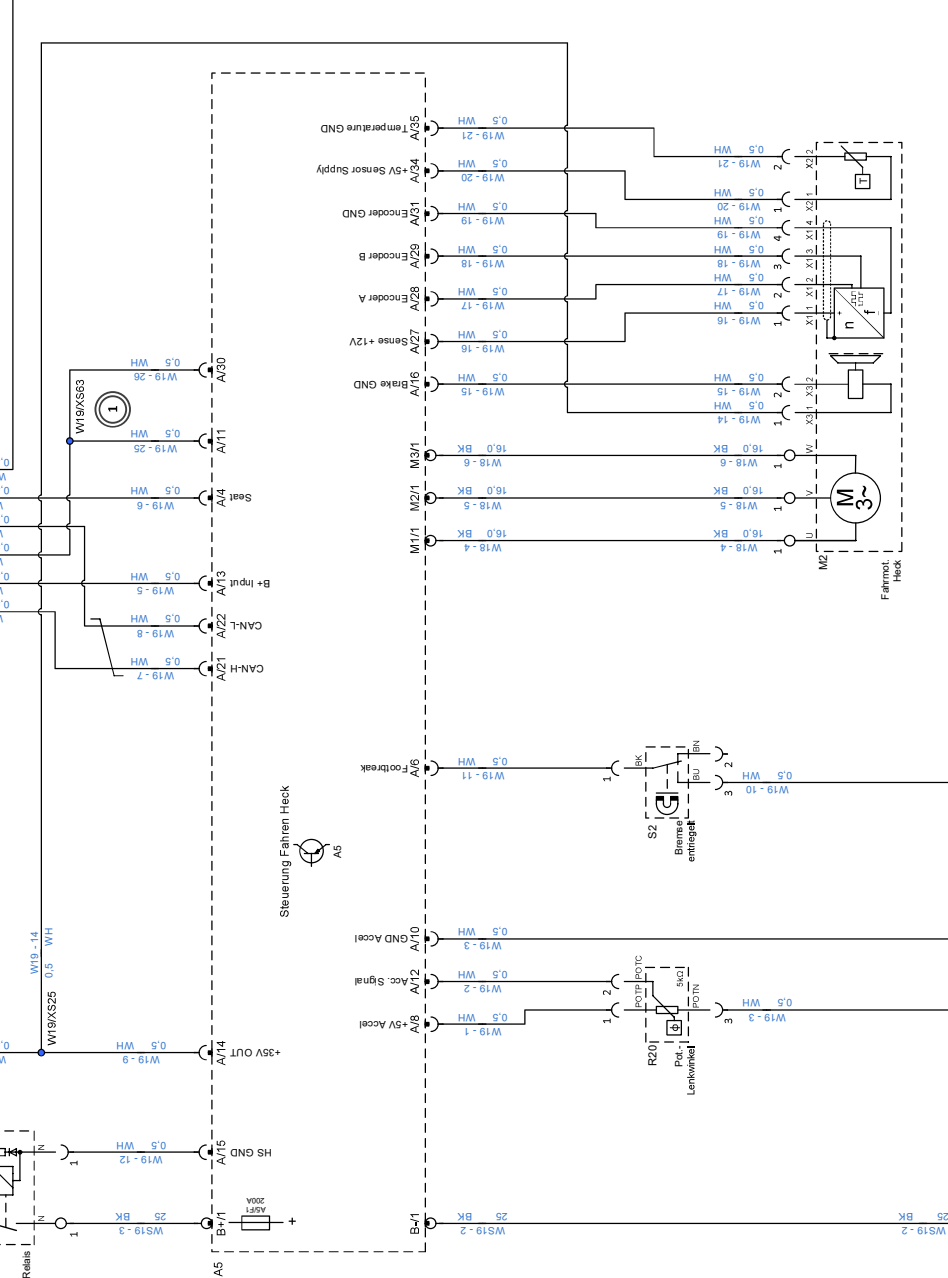
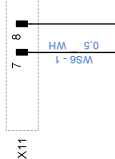


| | | | | | | | | | | | | | | | | | | | | | |
|-----------------|--|--|--|-----------------|--|---------|--|-----------------|--|---------|--|-----------------|--|---------|--|-----------------|--|---------|--|-----------------|--|
| Freigabevermerk | | Name | | Date | | Ri | | Date | | Name | | Date | | Name | | Date | | Name | | Date | |
| | | B400 R | | 12.03.2020 | | 4315-65 | | 08.12.2020 | | 4320-82 | | 08.12.2020 | | 4320-82 | | 08.12.2020 | | 4320-82 | | 08.12.2020 | |
| | | Schaltplan B400 R / circuit diagram B400 R | | Replacement for | | 4315-65 | | Replacement for | | 4315-65 | | Replacement for | | 4315-65 | | Replacement for | | 4315-65 | | Replacement for | |
| | | No. Number appears | | Change No. | | Date | | Name | | Date | | Name | | Date | | Name | | Date | | Name | |
| | | 1 | | *7* | | | | | | | | | | | | | | | | | |
| | | No. Number appears | | Change No. | | Date | | Name | | Date | | Name | | Date | | Name | | Date | | Name | |
| | | 1 | | *7* | | | | | | | | | | | | | | | | | |
| | | No. Number appears | | Change No. | | Date | | Name | | Date | | Name | | Date | | Name | | Date | | Name | |
| | | 1 | | *7* | | | | | | | | | | | | | | | | | |
| | | No. Number appears | | Change No. | | Date | | Name | | Date | | Name | | Date | | Name | | Date | | Name | |
| | | 1 | | *7* | | | | | | | | | | | | | | | | | |
| | | No. Number appears | | Change No. | | Date | | Name | | Date | | Name | | Date | | Name | | Date | | Name | |
| | | 1 | | *7* | | | | | | | | | | | | | | | | | |
| | | No. Number appears | | Change No. | | Date | | Name | | Date | | Name | | Date | | Name | | Date | | Name | |
| | | 1 | | *7* | | | | | | | | | | | | | | | | | |
| | | No. Number appears | | Change No. | | Date | | Name | | Date | | Name | | Date | | Name | | Date | | Name | |
| | | 1 | | *7* | | | | | | | | | | | | | | | | | |
| | | No. Number appears | | Change No. | | Date | | Name | | Date | | Name | | Date | | Name | | Date | | Name | |
| | | 1 | | *7* | | | | | | | | | | | | | | | | | |
| | | No. Number appears | | Change No. | | Date | | Name | | Date | | Name | | Date | | Name | | Date | | Name | |
| | | 1 | | *7* | | | | | | | | | | | | | | | | | |
| | | No. Number appears | | Change No. | | Date | | Name | | Date | | Name | | Date | | Name | | Date | | Name | |
| | | 1 | | *7* | | | | | | | | | | | | | | | | | |
| | | No. Number appears | | Change No. | | Date | | Name | | Date | | Name | | Date | | Name | | Date | | Name | |
| | | 1 | | *7* | | | | | | | | | | | | | | | | | |
| | | No. Number appears | | Change No. | | Date | | Name | | Date | | Name | | Date | | Name | | Date | | Name | |
| | | 1 | | *7* | | | | | | | | | | | | | | | | | |
| | | No. Number appears | | Change No. | | Date | | Name | | Date | | Name | | Date | | Name | | Date | | Name | |
| | | 1 | | *7* | | | | | | | | | | | | | | | | | |
| | | No. Number appears | | Change No. | | Date | | Name | | Date | | Name | | Date | | Name | | Date | | Name | |
| | | 1 | | *7* | | | | | | | | | | | | | | | | | |
| | | No. Number appears | | Change No. | | Date | | Name | | Date | | Name | | Date | | Name | | Date | | Name | |
| | | 1 | | *7* | | | | | | | | | | | | | | | | | |
| | | No. Number appears | | Change No. | | Date | | Name | | Date | | Name | | Date | | Name | | Date | | Name | |
| | | 1 | | *7* | | | | | | | | | | | | | | | | | |
| | | No. Number appears | | Change No. | | Date | | Name | | Date | | Name | | Date | | Name | | Date | | Name | |
| | | 1 | | *7* | | | | | | | | | | | | | | | | | |
| | | No. Number appears | | Change No. | | Date | | Name | | Date | | Name | | Date | | Name | | Date | | Name | |
| | | 1 | | *7* | | | | | | | | | | | | | | | | | |
| | | No. Number appears | | Change No. | | Date | | Name | | Date | | Name | | Date | | Name | | Date | | Name | |
| | | 1 | | *7* | | | | | | | | | | | | | | | | | |
| | | No. Number appears | | Change No. | | Date | | Name | | Date | | Name | | Date | | Name | | Date | | Name | |
| | | 1 | | *7* | | | | | | | | | | | | | | | | | |
| | | No. Number appears | | Change No. | | Date | | Name | | Date | | Name | | Date | | Name | | Date | | Name | |
| | | 1 | | *7* | | | | | | | | | | | | | | | | | |
| | | No. Number appears | | Change No. | | Date | | Name | | Date | | Name | | Date | | Name | | Date | | Name | |
| | | 1 | | *7* | | | | | | | | | | | | | | | | | |
| | | No. Number appears | | Change No. | | Date | | Name | | Date | | Name | | Date | | Name | | Date | | Name | |
| | | 1 | | *7* | | | | | | | | | | | | | | | | | |
| | | No. Number appears | | Change No. | | Date | | Name | | Date | | Name | | Date | | Name | | Date | | Name | |
| | | 1 | | *7* | | | | | | | | | | | | | | | | | |
| | | No. Number appears | | Change No. | | Date | | Name | | Date | | Name | | Date | | Name | | Date | | Name | |
| | | 1 | | *7* | | | | | | | | | | | | | | | | | |
| | | No. Number appears | | Change No. | | Date | | Name | | Date | | Name | | Date | | Name | | Date | | Name | |
| | | 1 | | *7* | | | | | | | | | | | | | | | | | |
| | | No. Number appears | | Change No. | | Date | | Name | | Date | | Name | | Date | | Name | | Date | | Name | |
| | | 1 | | *7* | | | | | | | | | | | | | | | | | |
| | | No. Number appears | | Change No. | | Date | | Name | | Date | | Name | | Date | | Name | | Date | | Name | |
| | | 1 | | *7* | | | | | | | | | | | | | | | | | |
| | | No. Number appears | | Change No. | | Date | | Name | | Date | | Name | | Date | | Name | | Date | | Name | |
| | | 1 | | *7* | | | | | | | | | | | | | | | | | |
| | | No. Number appears | | Change No. | | Date | | Name | | Date | | Name | | Date | | Name | | Date | | Name | |
| | | 1 | | *7* | | | | | | | | | | | | | | | | | |
| | | No. Number appears | | Change No. | | Date | | Name | | Date | | Name | | Date | | Name | | Date | | Name | |
| | | 1 | | *7* | | | | | | | | | | | | | | | | | |
| | | No. Number appears | | Change No. | | Date | | Name | | Date | | Name | | Date | | Name | | Date | | Name | |
| | | 1 | | *7* | | | | | | | | | | | | | | | | | |
| | | No. Number appears | | Change No. | | Date | | Name | | Date | | Name | | Date | | Name | | Date | | Name | |
| | | 1 | | *7* | | | | | | | | | | | | | | | | | |
| | | No. Number appears | | Change No. | | Date | | Name | | Date | | Name | | Date | | Name | | Date | | Name | |
| | | 1 | | *7* | | | | | | | | | | | | | | | | | |
| | | No. Number appears | | Change No. | | Date | | Name | | Date | | Name | | Date | | Name | | Date | | Name | |
| | | 1 | | *7* | | | | | | | | | | | | | | | | | |
| | | No. Number appears | | Change No. | | Date | | Name | | Date | | Name | | Date | | Name | | Date | | Name | |
| | | 1 | | *7* | | | | | | | | | | | | | | | | | |
| | | No. Number appears | | Change No. | | Date | | Name | | Date | | Name | | Date | | Name | | Date | | Name | |
| | | 1 | | *7* | | | | | | | | | | | | | | | | | |
| | | No. Number appears | | Change No. | | Date | | Name | | Date | | Name | | Date | | Name | | Date | | Name | |
| | | 1 | | *7* | | | | | | | | | | | | | | | | | |
| | | No. Number appears | | Change No. | | Date | | Name | | Date | | Name | | Date | | Name | | Date | | Name | |
| | | 1 | | *7* | | | | | | | | | | | | | | | | | |
| | | No. Number appears | | Change No. | | Date | | Name | | Date | | Name | | Date | | Name | | Date | | Name | |
| | | 1 | | *7* | | | | | | | | | | | | | | | | | |
| | | No. Number appears | | Change No. | | Date | | Name | | Date | | Name | | Date | | Name | | Date | | Name | |
| | | 1 | | *7* | | | | | | | | | | | | | | | | | |
| | | No. Number appears | | Change No. | | Date | | Name | | Date | | Name | | Date | | Name | | Date | | Name | |
| | | 1 | | *7* | | | | | | | | | | | | | | | | | |
| | | No. Number appears | | Change No. | | Date | | Name | | Date | | Name | | Date | | Name | | Date | | Name | |
| | | 1 | | *7* | | | | | | | | | | | | | | | | | |
| | | No. Number appears | | Change No. | | Date | | Name | | Date | | Name | | Date | | Name | | Date | | Name | |
| | | 1 | | *7* | | | | | | | | | | | | | | | | | |
| | | No. Number appears | | Change No. | | Date | | Name | | Date | | Name | | Date | | Name | | Date | | Name | |
| | | 1 | | *7* | | | | | | | | | | | | | | | | | |
| | | No. Number appears | | Change No. | | Date | | Name | | Date | | Name | | Date | | Name | | Date | | Name | |
| | | 1 | | *7* | | | | | | | | | | | | | | | | | |
| | | No. Number appears | | Change No. | | Date | | Name | | Date | | Name | | Date | | Name | | Date | | Name | |
| | | 1 | | *7* | | | | | | | | | | | | | | | | | |
| | | No. Number appears | | Change No. | | Date | | Name | | Date | | Name | | Date | | Name | | Date | | Name | |
| | | 1 | | *7* | | | | | | | | | | | | | | | | | |
| | | No. Number appears | | Change No. | | Date | | Name | | Date | | Name | | Date | | Name | | Date | | Name | |
| | | 1 | | *7* | | | | | | | | | | | | | | | | | |
| | | No. Number appears | | Change No. | | Date | | Name | | Date | | Name | | Date | | Name | | Date | | Name | |
| | | 1 | | *7* | | | | | | | | | | | | | | | | | |
| | | No. Number appears | | Change No. | | Date | | Name | | Date | | Name | | Date | | Name | | Date | | Name | |
| | | 1 | | *7* | | | | | | | | | | | | | | | | | |
| | | No. Number appears | | Change No. | | Date | | Name | | Date | | Name | | Date | | Name | | Date | | | |

Legende

- A5 Steuerung Fahren Heck 36V/250A
drive controller rear 36V/250A
- K3 Relais Fahrsteuerung Heck
relay drive controller rear
- M2 Fahrmotor Heck
drive motor rear
- R20 Lenkwinkelpotentiometer 5kΩ
steer angle potentiometer 5kΩ
- S2 Schalter Bremse entriegelt
switch brake released
- W19/XS25 USSP
USSP
- X11 Mini-Fit Jr. 8-pol. WS6
USSP

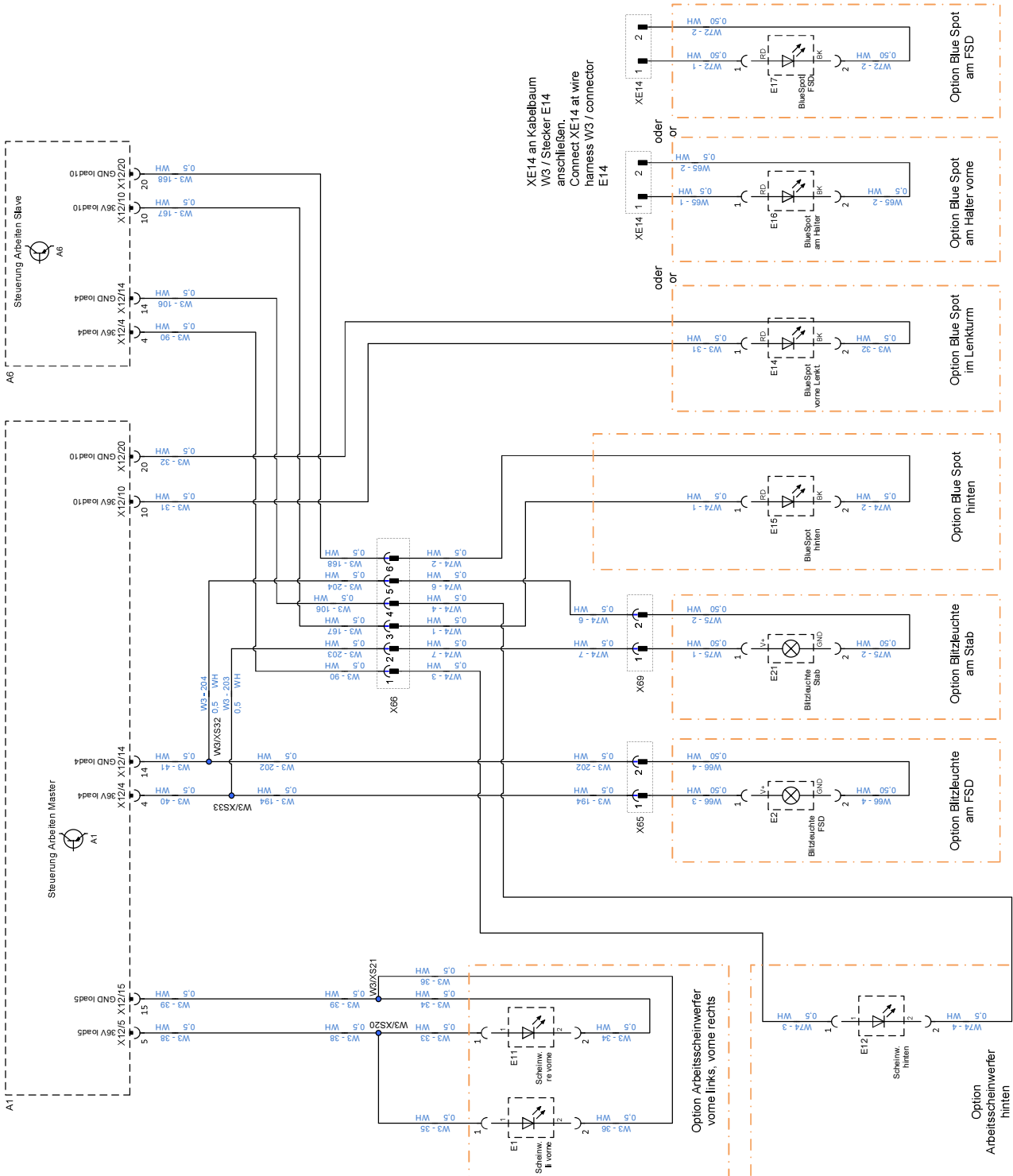
Kabelsatz WS6: nur Variante Einzelrad
Kabelbaum W19: nur Variante Allrad
Cable set WS6: only for single wheel drive
Wire harness W19: only for all-wheel drive



| | | | | | | | | | | | | | | | | | | | | | | | | | | | | | |
|--------------------|--|------------|--|------|--|---------|--|------------|--|----------|--|------|--|------------|--|-----------------|--|---------|--|------------------------|--|-----------|--|--|--|----------------|--|----------|--|
| Freigabevermerk | | 1 | | 1x | | 4320-42 | | 08.12.2020 | | Ri | | Date | | 12.03.2020 | | Ri | | Name | | B400 R | | Name | | Schaltplan B400 R / circuit diagram B400 R | | Drawing Number | | 91040360 | |
| No. Number appears | | Change No. | | Date | | Name | | Stk. | | Verified | | Date | | Name | | Replacement for | | 4315-65 | | Engineering Base 6.9.1 | | Type 7437 | | Dept. DS | | No. of Sh. 27 | | Sheet 15 | |
| No. Number appears | | Change No. | | Date | | Name | | Stk. | | Verified | | Date | | Name | | Replacement for | | 4315-65 | | Engineering Base 6.9.1 | | Type 7437 | | Dept. DS | | No. of Sh. 27 | | Sheet 15 | |

Legende

- A1 Steuerung Arbeiten Master
- A6 controller working master
- E1 controller working slave
- E2 Arbeitsscheinwerfer Links
- E11 working headlight left
- E12 Flashleuchte Fahrerschutzdach
- E13 Arbeitsscheinwerfer rechts
- E14 working headlight right
- E15 Arbeitsscheinwerfer hinten
- E16 working headlight rear
- E17 Bluespot Lenkturm LED
- E18 bluespot steering unit LED
- E19 bluespot hinten LED
- E20 bluespot rear LED
- E21 Blue Spot am Halter LED
- E22 blue spot at holder LED
- E23 bluespot FSD LED
- E24 bluespot overhead cover LED
- E25 Blitzleuchte am Stab
- E26 Flashlight at bar
- W3/XS20 USSP
- W3/XS21 USSP
- W3/XS32 USSP
- W3/XS33 USSP
- X65 SuperSeal 2-pol. W66-W3
- X66 SuperSeal 2-pol. W66-W3
- X67 Mini-Fit Jr. 6-pol. W74-W3
- X68 Mini-Fit Jr. 6-pol. W74-W3
- X69 Mini-Fit Jr. 2-pol. W75-W74
- X70 Mini-Fit Jr. 2-pol. W75-W74
- XE14 SuperSeal 2-pol. W65
- XE15 SuperSeal 2-pol. W65

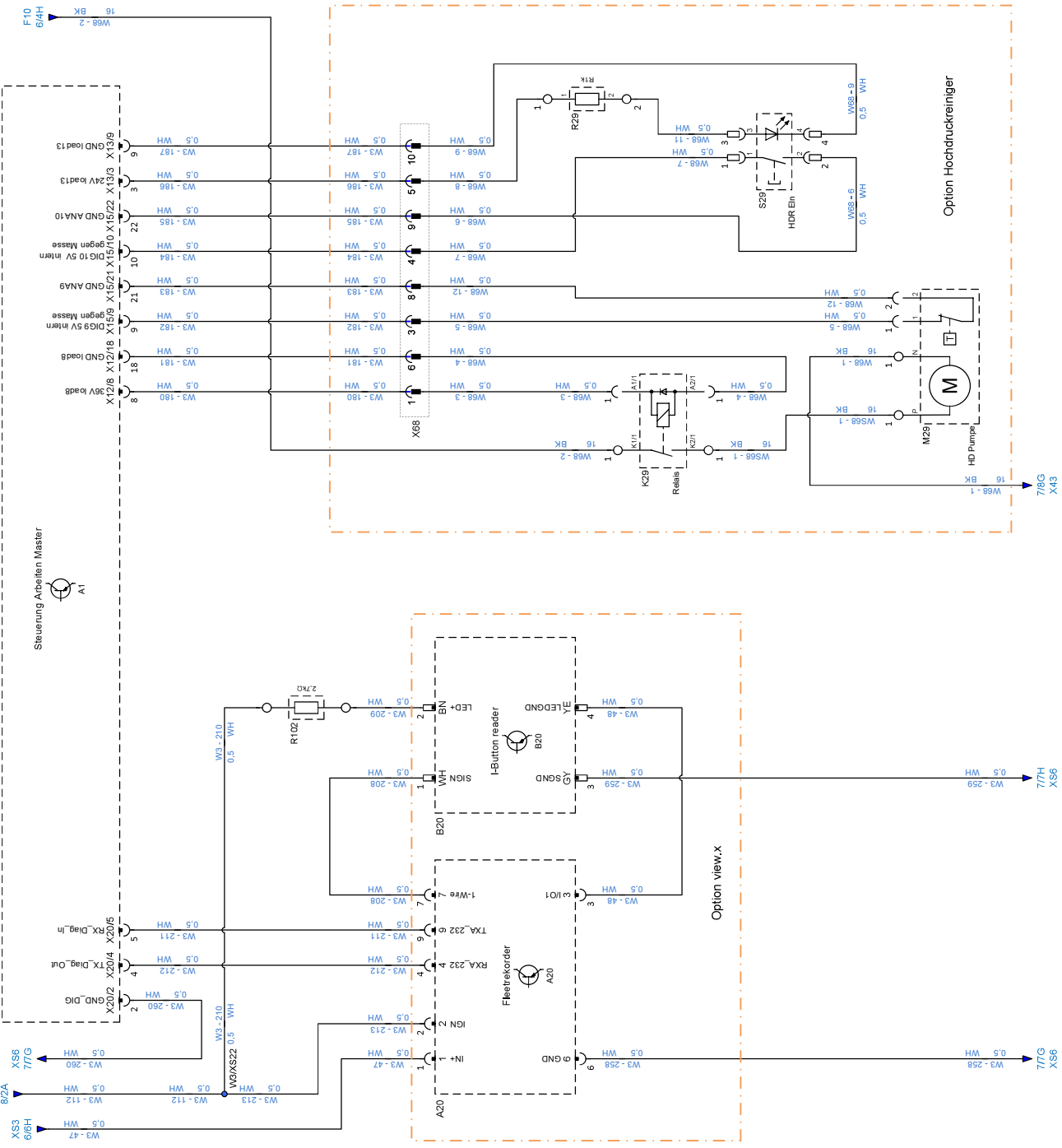


XE14 an Kabelbaum W3 / Stecker E14 anschließen.
Connect XE14 at wire harness W3 / connector E14

| | | | | | | | | | | | | | | | | | | | | | |
|---------------------------------|--|-----------------|--|--------------------|--|------------------------|--|--------------------|--|------------------------|--|--------------------|--|------------------------|--|--------------------|--|------------------------|--|--------------------|--|
| Freigebevermerk | | Name | | Date | | Ri | | Date | | Name | | Date | | Name | | Date | | Name | | Date | |
| 1 | | B400 R | | 15.03.2018 | | 4320-42 | | 08.12.2020 | | 4315-45 | | 4315-45 | | 4315-45 | | 4315-45 | | 4315-45 | | 4315-45 | |
| No. (Number appears/Change No.) | | Replacement for | | Verified | | Name | | Sta. | | Name | | Sta. | | Name | | Sta. | | Name | | Sta. | |
| * | | 4315-45 | | 4315-45 | | 4315-45 | | 4315-45 | | 4315-45 | | 4315-45 | | 4315-45 | | 4315-45 | | 4315-45 | | 4315-45 | |
| No. of Sh. 27 | | Drawing Number | | Type 7437 | | Dept. DS | | Type 7437 | | Dept. DS | | Type 7437 | | Dept. DS | | Type 7437 | | Dept. DS | | Type 7437 | |
| Sheet 16 | | 91040360 | | b-7380 Ser. (Date) | | Engineering Base 6.9.1 | | b-7380 Ser. (Date) | | Engineering Base 6.9.1 | | b-7380 Ser. (Date) | | Engineering Base 6.9.1 | | b-7380 Ser. (Date) | | Engineering Base 6.9.1 | | b-7380 Ser. (Date) | |

Legende

- A1 Steuerung Arbeiten Master
- A20 Fleetrekorder
- B20 I-Button reader
- K29 Relais high pressure pump
- M29 Hochdruckpumpe
- R29 high pressure pump
- R102 Widerstand R1k
- S29 widerstand 2,7kΩ
- W3/XS22 Taster HDR EIN
- W3/XS22 switch HDR on
- USSP USSP
- X68 Mini-Fit Jr. 10-pol. W68-W3
- Mini-Fit Jr. 10-pol. W68-W3



| | | | | | | | | | | | | | | | | | | | | | |
|-----------------|--|---------------------------------|--|------------|--|---------|--|--------|--|----------|--|------|--|--------|--|--|--|----------|--|--------------------|--|
| Freigabevermerk | | No. (Number appears) Change No. | | Date | | Name | | Status | | Verified | | Date | | Name | | Replacement for | | Name | | Drawing Number | |
| | | 4320-42 | | 08.12.2020 | | 4315-45 | | | | | | | | B400 R | | Schaltplan B400 R / circuit diagram B400 R | | 91040360 | | 91040360 | |
| | | * * | | | | | | | | | | | | | | | | | | Type 7437 Dept. DS | |
| | | | | | | | | | | | | | | | | | | | | No. of Sh. 27 | |
| | | | | | | | | | | | | | | | | | | | | Sheet 19 | |



Engineering Base 6.9.1
Type 7437 Dept. DS

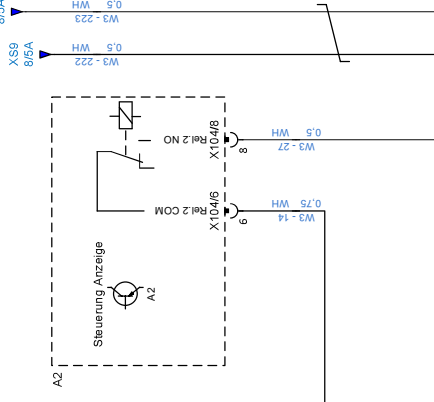
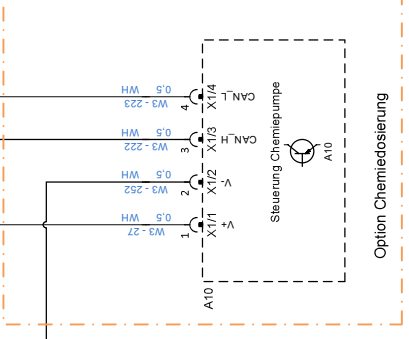
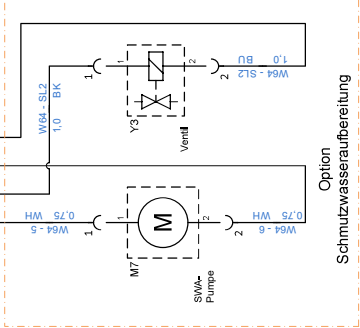
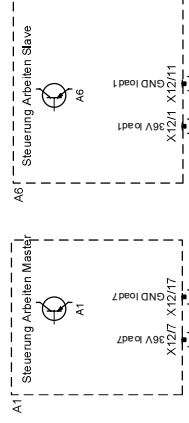
For this drawing, we reserve all rights (acc. DIN ISO 18016)

Engineering Base 6.9.1

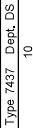
Sheet 19

Legende

- A1 Steuerung Arbeiten Master
- A2 controller working master
- A6 Steuerung Arbeiten Slave
- A6 controller working slave
- A10 Steuerung Chemiepumpe
- M7 wasserrecyclingpumpe
- X63 Mini Fit Jr. 4-pol. w64-w3
- Y3 Ventil wasserrecycling



| | | | | | | | | | | | | | | | | | | | | | | | |
|----------------------|--|------------|--|------|--|---------|--|------------|--|----------|--|-----------------|--|---------|--|--|--|----------------|--|----------|--|----------|--|
| Freigabevermerk | | 1 | | */* | | 4320-42 | | 08.12.2020 | | Date | | B400 R | | Name | | Schaltplan B400 R / circuit diagram B400 R | | Drawing Number | | 91040360 | | | |
| No. (Number appears) | | Change No. | | Date | | Name | | Stk. | | Verified | | Replacement for | | 4315-65 | | Engineering Base 6.9.1 | | Type 7437 | | Dept. DS | | Sheet 20 | |
| No. (Number appears) | | Change No. | | Date | | Name | | Stk. | | Verified | | Replacement for | | 4315-65 | | Engineering Base 6.9.1 | | Type 7437 | | Dept. DS | | Sheet 20 | |



0-7380 600 010100

Engineering Base 6.9.1

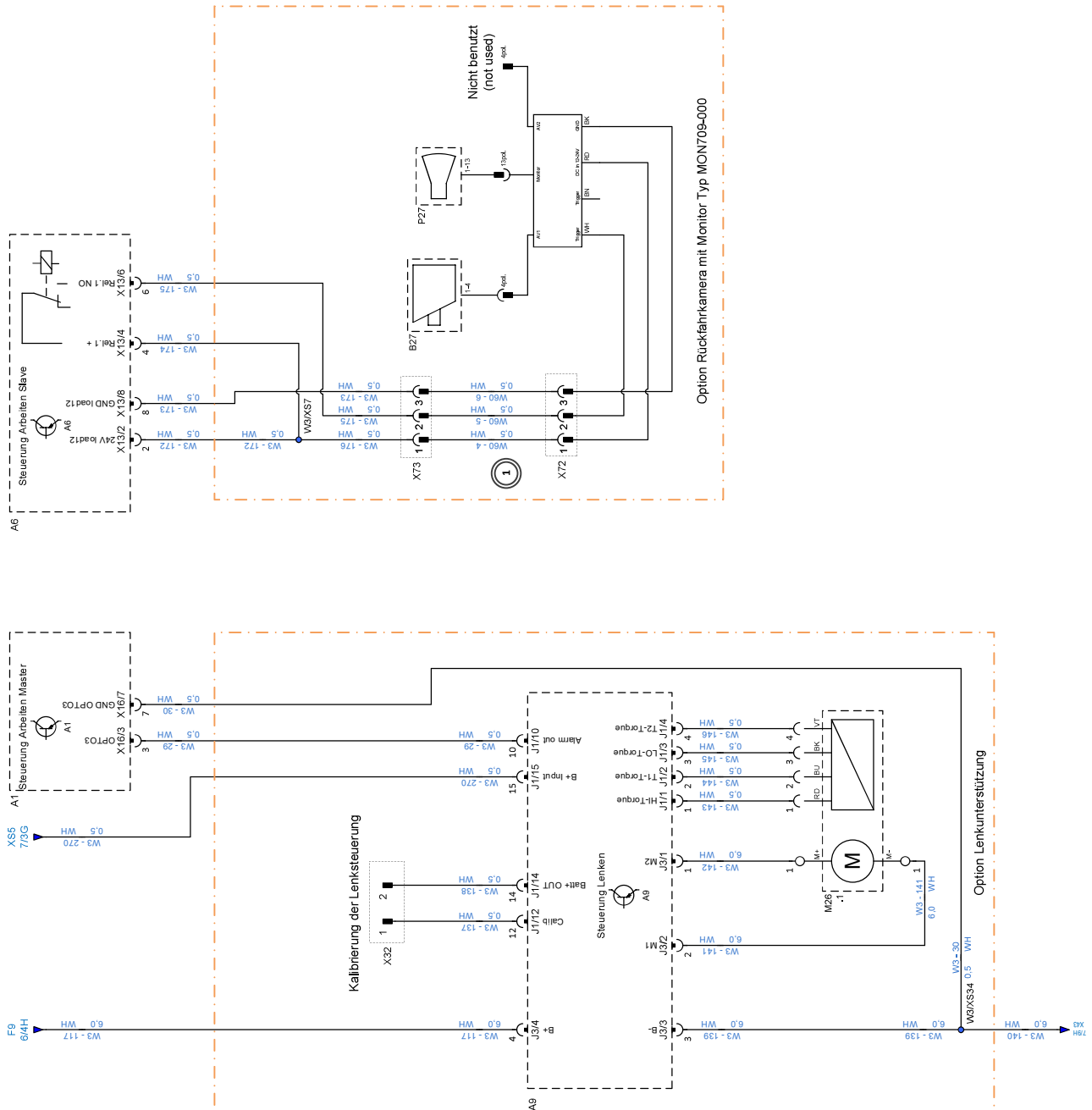
Type 7437

Dept. DS

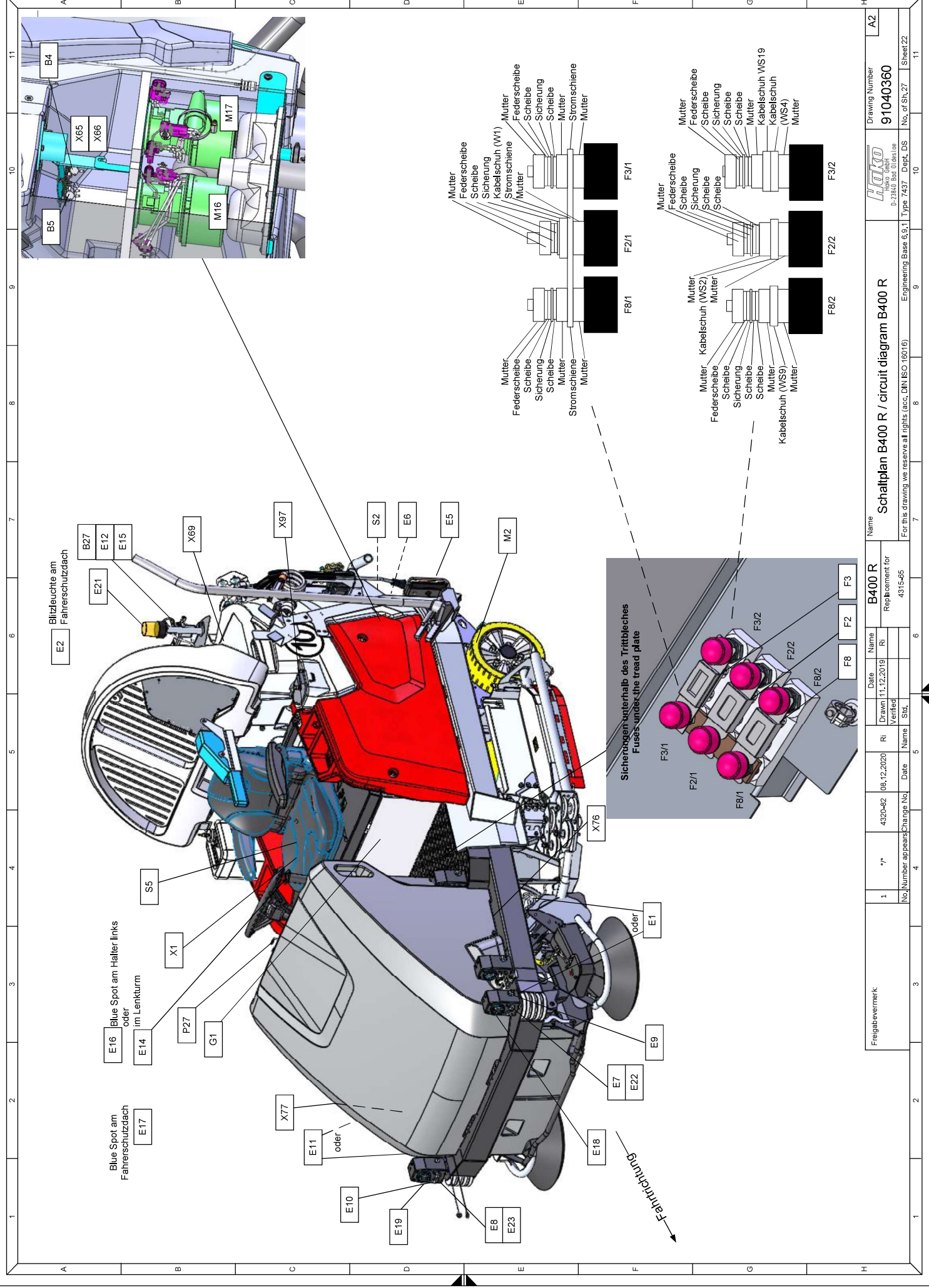
Sheet 20

Legende

- A1 Steuerung Arbeiten Master
- A6 controller working master
- A6 Steuerung Arbeiten slave
- A9 controller working slave
- A9 Steuerung Lenken
- B27 controller steering
- Kamera
- camera
- M26 Lenkmotor
- steering motor
- P27 monitor
- display
- W3/XS7 ussp
- W3/XS7 ussp
- W3/XS34 ussp
- W3/XS34 ussp
- X32 Mini-Fit Jr. 2-pol. W3
- X32 Mini-Fit Jr. 2-pol. W3
- X72 6.3 Fastin Faston 3-pol.-W60
- X72 6.3 Fastin Faston 3-pol.-W60
- X73 6.3 Fastin Faston 3-pol. W60-W3
- X73 6.3 Fastin Faston 3-pol. W60-W3



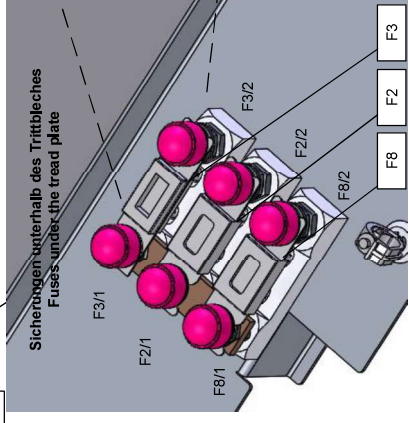
| | | | | | | | | | | | | | | | | | | | | | | | | | | | | | | | | | | | | | |
|--|--|------------|--|------|--|---------|--|------------|--|----------|--|-------|--|------------|--|--------|--|-----------------|--|--|--|----------------|--|----------|--|-------|--|----|--|------------|--|----|--|-------|--|----|--|
| Freigebevermerk | | 1 | | 1x | | 4320-42 | | 08.12.2020 | | Ri | | Date | | Name | | B400 R | | Name | | Schaltplan B400 R / circuit diagram B400 R | | Drawing Number | | 91040360 | | | | | | | | | | | | | |
| No. Number appears | | Change No. | | Date | | Name | | Stk. | | Verified | | Drawn | | 15.03.2018 | | Ri | | Replacement for | | 4315-45 | | Type | | 7437 | | Dept. | | DS | | No. of Sh. | | 27 | | Sheet | | 21 | |
| For this drawing, we reserve all rights (acc. DIN ISO 18016) | | | | | | | | | | | | | | | | | | | | | | | | | | | | | | | | | | | | | |



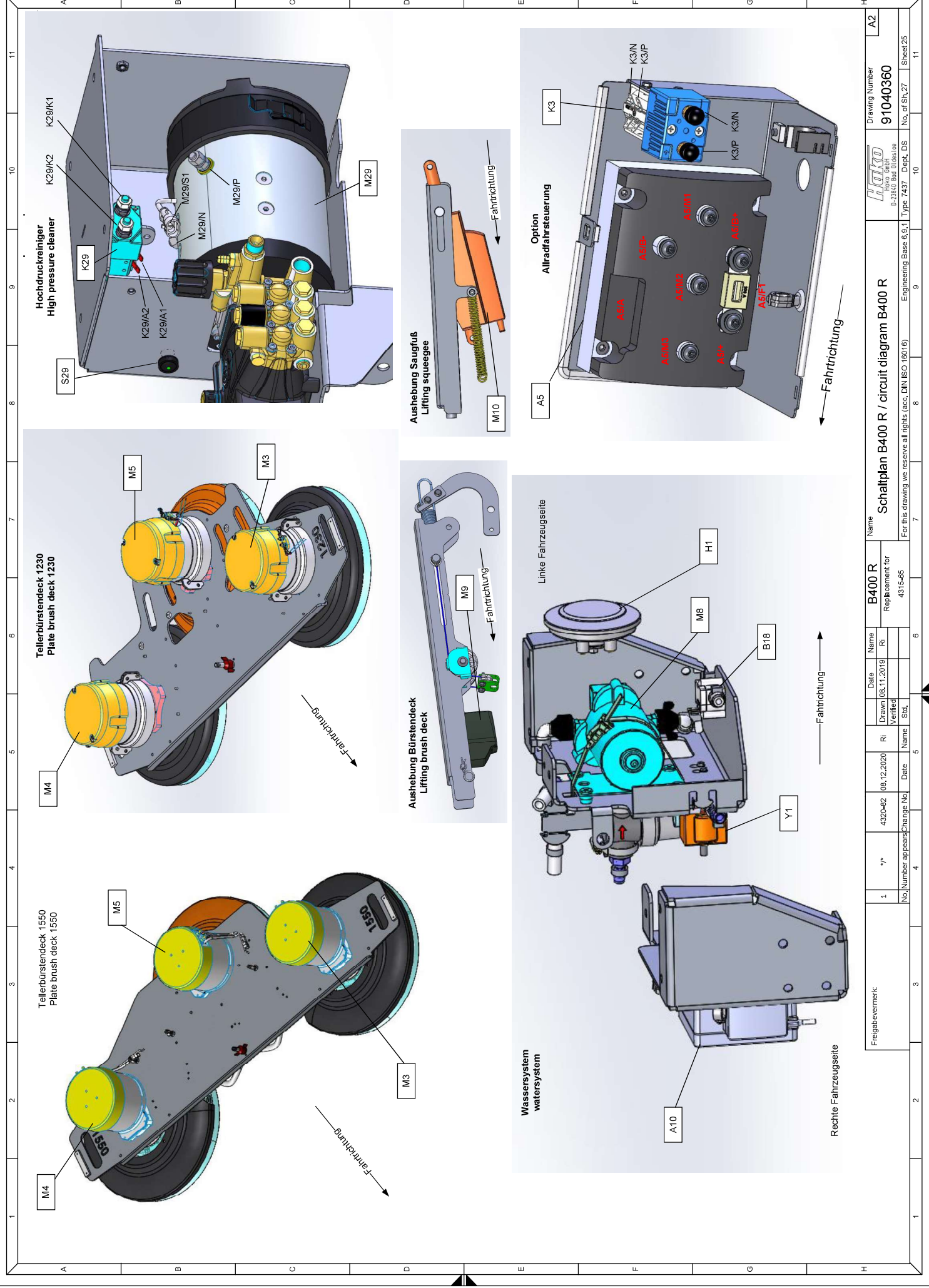
Blitzleuchte am
Fahrschutzdach

Blue Spot am
Fahrschutzdach

Blue Spot am Halter links
oder
im Lenkturm



| | | | | | | | | | | | | | | | | | | | | | | | | | | | | | | | | | | | | | | | | | | | | | |
|----------------------|--|------------|--|------|--|---------|--|------------|--|---------|--|-----------------|--|---------|--|--------|--|------|--|--|--|----------------|--|---------------|--|----------|--|---|--|---|--|---|--|---|--|---|--|---|--|---|--|---|--|---|--|
| Freigabevermerk | | 1 | | * * | | 4320-42 | | 08.12.2020 | | Ri | | Date | | Name | | B400 R | | Name | | Schaltplan B400 R / circuit diagram B400 R | | Drawing Number | | 91040360 | | | | | | | | | | | | | | | | | | | | | |
| No. / Number appears | | Change No. | | Date | | Name | | Stk. | | 4315-65 | | Replacement for | | 4315-65 | | Ri | | Date | | Type 7437 | | Dept. DS | | No. of Sh. 27 | | Sheet 22 | | | | | | | | | | | | | | | | | | | |
| H | | 11 | | 10 | | 9 | | 8 | | 7 | | 6 | | 5 | | 4 | | 3 | | 2 | | 1 | | 11 | | 10 | | 9 | | 8 | | 7 | | 6 | | 5 | | 4 | | 3 | | 2 | | 1 | |



Tellerbürstendeck 1550
Plate brush deck 1550

Tellerbürstendeck 1230
Plate brush deck 1230

Hochdruckreiniger
High pressure cleaner

Aushebung Bürstendeck
Lifting brush deck

Aushebung Saugfuß
Lifting squeegee

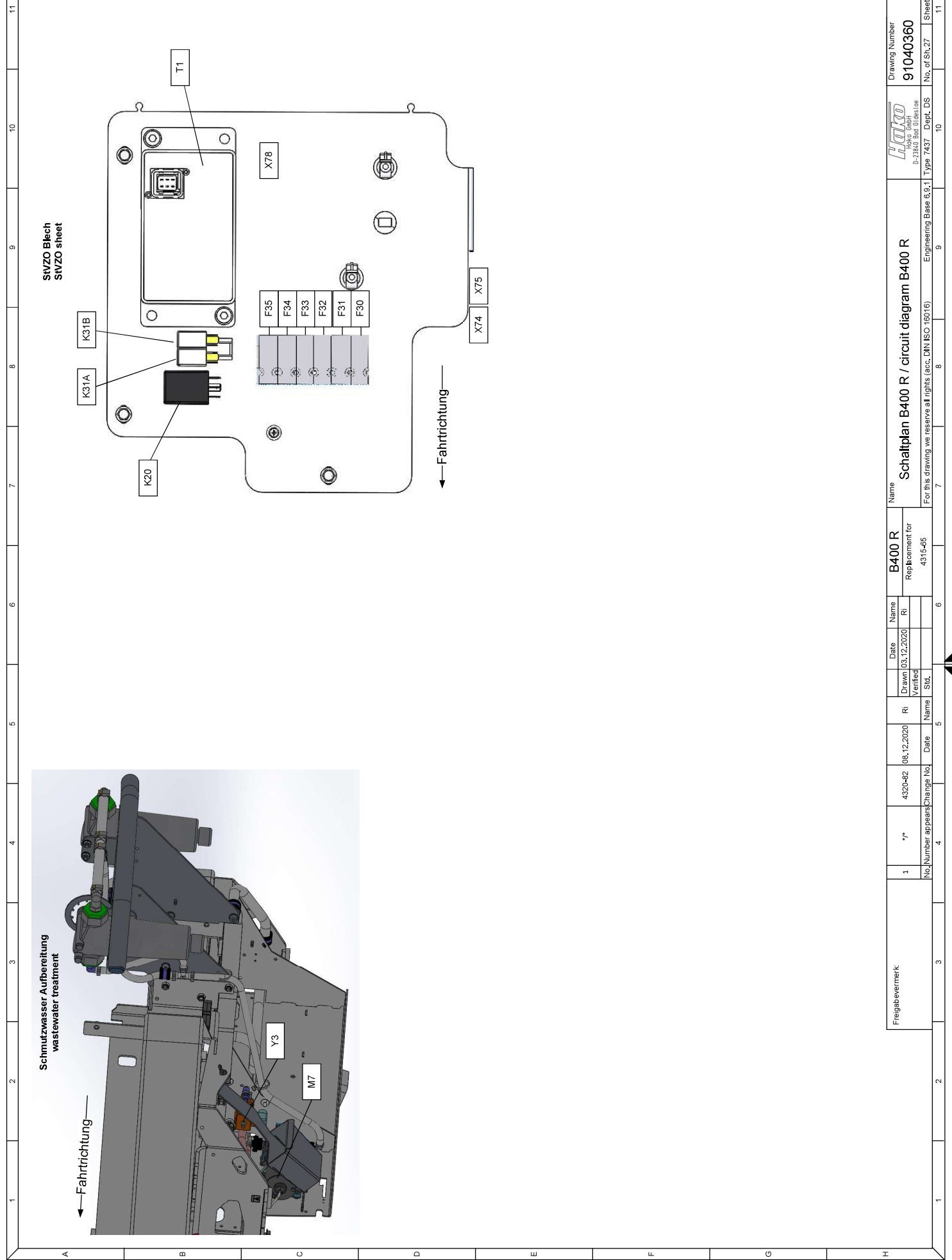
Wassersystem
watersystem

Linke Fahrzeugseite

Option
Allradfahrsteuerung

Rechte Fahrzeugseite

| | | | | | | | | | |
|--|----|---------|------------|---------|----------|--------|--------|--|--|
| Freigabevermerk | | Name | | Date | | Name | | Drawing Number | |
| 1 | ** | 4320-42 | 08.12.2020 | Ri | Verified | Ri | B400 R | 91040360 | |
| No. Number appears/Change No. | | Date | | Name | | Status | | No. of Sh. 27 | |
| 4315-65 | | | | 4315-65 | | | | Sheet 25 | |
| Schaltplan B400 R / circuit diagram B400 R | | | | | | | | Engineering Base 6,9,11 Type 7437 Dept. DS | |
| For this drawing, we reserve all rights (acc. DIN ISO 18016) | | | | | | | | d. 2380 for illustration | |



| | | | | | | | | | | | | |
|-----------------|--------------------|-----|------------|------------|----|------|-------------------------|--|--|-----------|---------------------|----------|
| Freigabevermerk | 1 | *1* | 4320-42 | 08.12.2020 | Ri | Name | B400 R | Name | Schaltplan B400 R / circuit diagram B400 R | | Drawing Number | A2 |
| | No./Number appears | 1 | Change No. | Date | Ri | Name | Replacement for 4315-45 | For this drawing, we reserve all rights (acc. DIN ISO 18016) | Engineering Base 6.9.1 | | D-73848 Spaichingen | 91040360 |
| | | | | | | | | | Engineering Base 6.9.1 | Type 7437 | No. of Sh./27 | Sheet/27 |